

All information contained in this manual is based on the latest product information at the time of publication. Bajaj Auto Limited accepts no liability for any inaccuracies or omissions in this publication, although every possible care has been taken to make it as complete and accurate as possible. All procedures and specifications subject to change without prior notice. The right is reserved to make such changes at any time without prior notice and without incurring an obligation to make such changes to product manufactured previously. Contact your authorized Bajaj Dealer for the latest information on product improvements incorporated after this manual was issued.

DOC. NO.: 71111738

REV. 01. NOV. 2013

We have pleasure in presenting the Spare Parts Catalogue for '**RE COMPACT 2S KS (PETROL), ES (PETROL / CNG / LPG)** Vehicles. This catalogue has been specially designed to assist you in selecting the correct parts to maintain your vehicle in best running condition.

The Bajaj spares are subjected to the stringent quality control standards to ensure longer life of the vehicle. It is therefore necessary that only the Genuine Bajaj Spares are used.

In a continual effort to improve performance & efficiency of the vehicle, Specifications, Diagrams, Illustrations and Part Numbers can change without notice. Consequently, the description in this Spare Parts Catalogue cannot therefore be final and binding on us.

The modifications / alterations which are carried out after the issue of this catalogue, will be conveyed to you through our service circulars. You are requested to make necessary corrections in the parts catalogues as per the circulars so as to keep your catalogues up to date. This will ensure the appropriate and speedy delivery of the spare parts as the order placed will bear the latest part numbers.

For latest information of serviceable spares, refer catalogue on dealer portal.

In case, if you need any technical assistance contact the concerned Regional Office or write to us on the following address :

Service Department  
Bajaj Auto Ltd.  
Akurdi, Pune 411 035 India  
Phone : 020-66106447  
Fax : 020-27407385  
E-mail : [service@bajajauto.co.in](mailto:service@bajajauto.co.in)

1. How to Read the Catalogue : In case, if you have the part number and you need the other details, the part index can be used. The part index (at the end of the catalogue) will give you the figure and page number of the part you wish to order.
2. How to Order Spare Parts : The part number and the description of the part required should be invariably mentioned in the order as per the catalogue text.

The latest part number as conveyed through our service circulars should only appear on the order. In case of ordering painted components, colour shade of the components should be mentioned.

The quantity shown against the part number is the quantity per vehicle for that group so that particular quantity should be multiplied by the number of sets required.

3. Part Number System: We have used 8 digit system for part numbers. The model or hardware item is indicated by first two digits or alphanumeric, the next two or four digits indicate main group and the last four or two digits indicate serial number in main group or serial number or subgroup of fastener respectively. Thus the part numbers will be indicated by 2-4-2 digit system. Understanding this system will enable you to identify the spare parts easily.
4. Abbreviations : The following abbreviations are used in this catalogue.

assly.	Assembly	V	Volts
N.I.	Not illustrated	W	Watts
C'case	Crankcase	accl.	Accelerator
Cyl	Cylinder	Comp.	Complete
o/s.	Over size	Fr	Front
Std.	Standard	L	Length
Alt.	Alternate	Rr	Rear
R.H.	Right hand	Hex.	Hexagonal
L.H.	Left hand	AR	As required

No.	Description	Page No.
1	Engine and Crankcase Assly	1
2	Crank Case Magneto Side	2
3	Cylinder / Cylinder Head / Piston	3
4	Crank Shaft	4
5	Clutch Assembly	5
6	Clutch Cover	6,7
7	Main Shaft	8
8	Cluster Gear / Starter Gear	9
9	Differential Cover	10
10	Differential Unit	11
11	Gear Shifter/Connecting Link Assly	12
12	Fare Meter Drive Unit	13
13	Sector Gear / Staring Mechanism	14,15
14	Magneto Assembly	16
15	Starter Motor Assly	17
16	Air Cleaner Assembly	18
17	Sai Assly	19
18	Carburetor (Ucal)	20,21
19	Petrol Tank & Petrol Cock Assly	22
20	Petrol Tank (CNG / LPG)	23
21	Oil Pump Assembly	24
22	Oil Tank Assembly	25
23	Silencer Assly	26
24	Engine Mounting Unit	27
25	Propeller Shaft / Flanges	28
26	Trailing Arm assembly	29
27	Rear Wheel Exle	30
28	Front Shock Absorber & Drum	31
29	Front Hub	32,33
30	Auto Adjuster Brake System	34,35

No.	Description	Page No.
31	Steering olumn Assly.	36
32	Front Mudguard	37
33	Brake Pipe	38
34	Tandem Master Cylinder	39
35	Brake Pedal & Parking Brake	40
36	Handle Bar Assembly	41
37	Control Cables	42
38	Windshield & Wiper motor	43
39	Chassis	44,45
40	Steering Cover	46
41	Hood Frame & Seat Assly	47
42	Passenger Body	48,49
43	Head Light Assly & Blinkers	50
44	Tail Lamp Assembly	51
45	Electrical Units	52,53
46	Switches & Horn	54
47	Battery	55
48	Cylinder for CNG & LPG Vehicle	56
49	Hoses	57
50	Relay & Solenoid	58
51	1ST Stage Reduction Unit	59,60
52	Regulator	61,62
53	Filter Valve	63
54	Multi Valve (Zero DEG)	64,65

PLATE NO. : 1  
ENGINE AND CRANKCASE ASSLY

PAGE NO.:

1

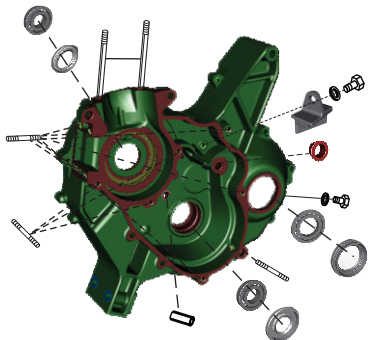


PLATE NO. : 3  
CYLINDER / CYLINDER HEAD / PISTON

PAGE NO.:

3

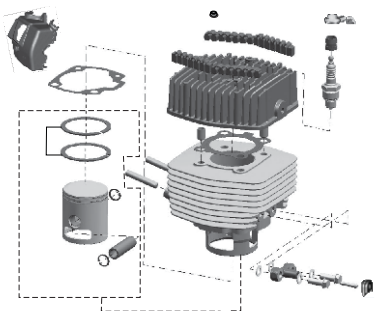


PLATE NO. : 5  
CLUTCH ASSEMBLY

PAGE NO.:

5

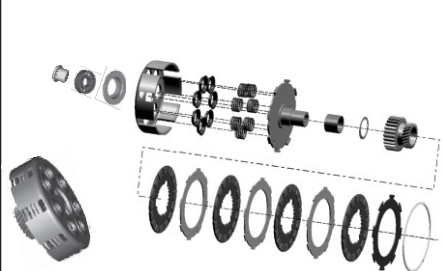


PLATE NO. : 2  
CRANKCASE MAGNETO SIDE

PAGE NO.:

2

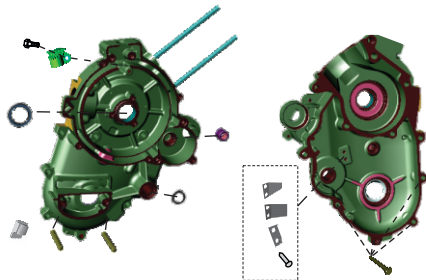


PLATE NO. : 4  
CRANK SHAFT

PAGE NO.:

4

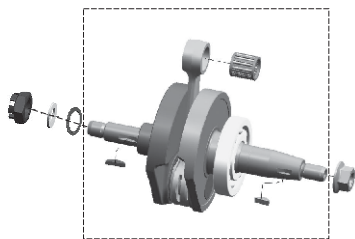


PLATE NO. : 6  
CLUTCH COVER

PAGE NO.:

6,7

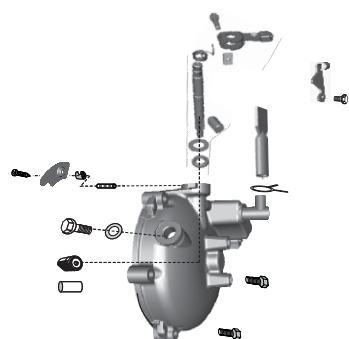


PLATE NO. : 7  
MAIN SHAFT

PAGE NO.:

8

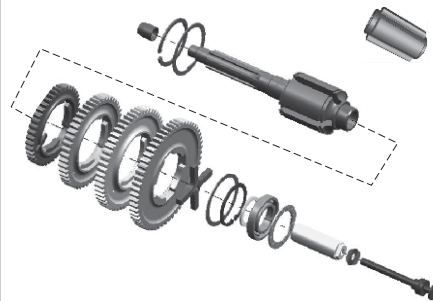


PLATE NO. : 9  
DIFFERENTIAL COVER

PAGE NO.:

10

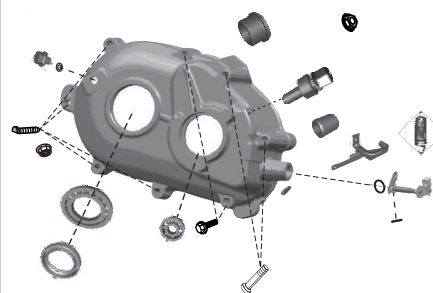


PLATE NO. : 11  
GEAR SHIFTER/CONNECTING LINK ASSLY

PAGE NO.:

12

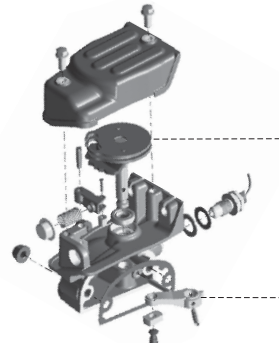


PLATE NO. : 8  
CLUSTER GEAR / STARTER GEAR

PAGE NO.:

9

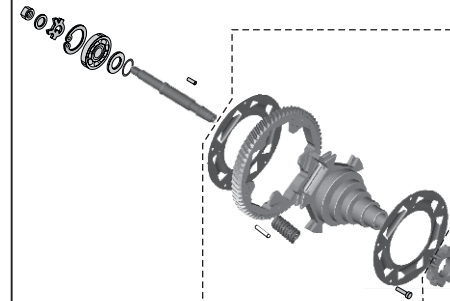


PLATE NO. : 10  
DIFFERENTIAL UNIT

PAGE NO.:

11

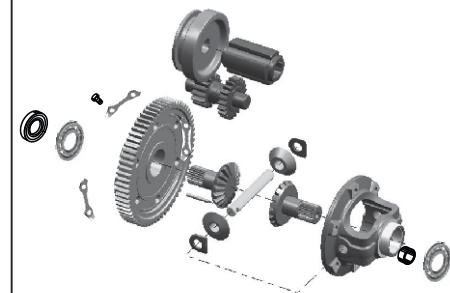
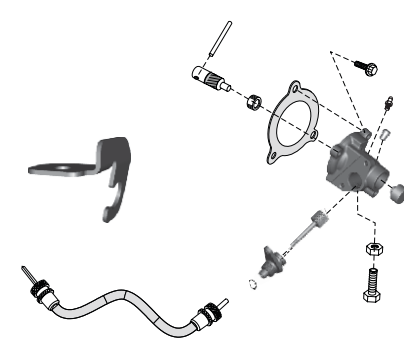


PLATE NO. : 12  
FARE METER DRIVE UNIT

PAGE NO.:

13



**Pictorial Index**

**RE Compact 2S**

PLATE NO. : 13  
SECTOR GEAR / STARING MECHANISM

PAGE NO.:  
14,15

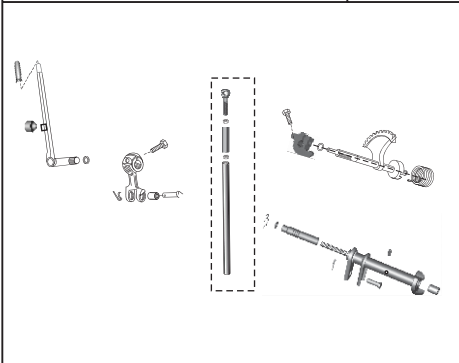


PLATE NO. : 15  
STARTER MOTOR ASSLY

PAGE NO.:  
17

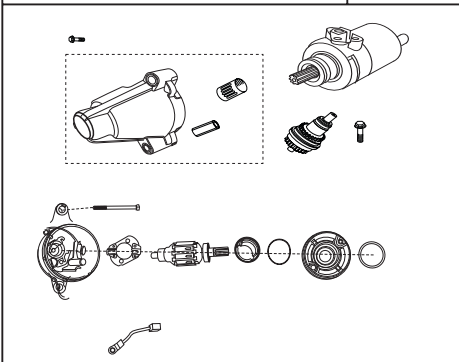


PLATE NO. : 17  
SAI ASSLY

PAGE NO.:  
19

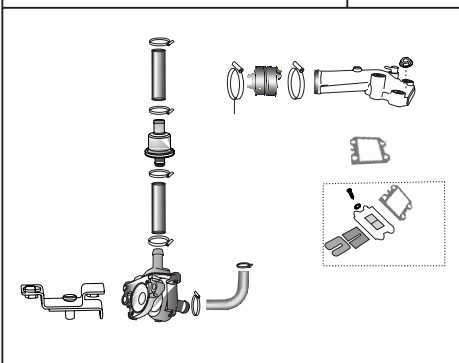


PLATE NO. : 14  
MAGNETO ASSEMBLY

PAGE NO.:  
16

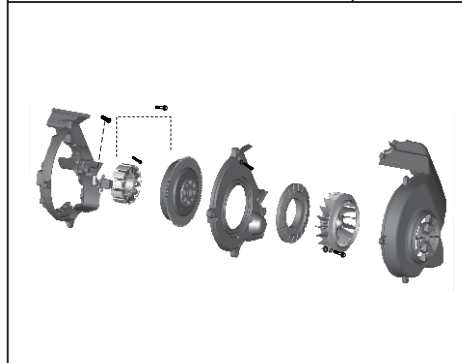


PLATE NO. : 16  
AIR CLEANER ASSEMBLY

PAGE NO.:  
18

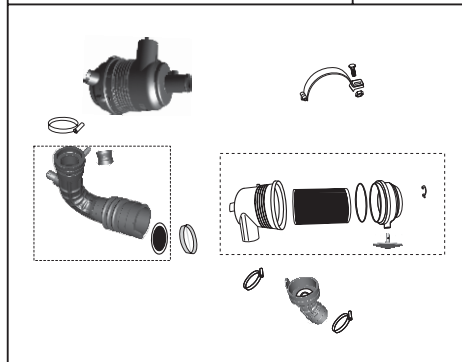
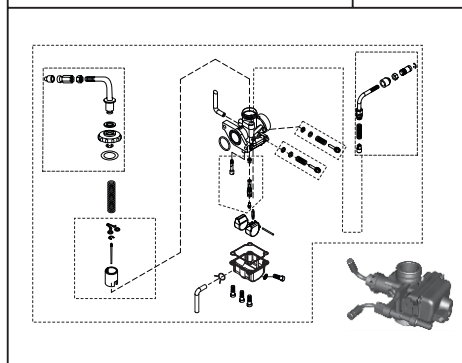


PLATE NO. : 18  
CARBURETTOR (UCAL)

PAGE NO.:  
20,21



**Pictorial Index**

**RE Compact 2S**

PLATE NO. : 19  
PETROL TANK & PETROL COCK ASSLY

PAGE NO.:  
22

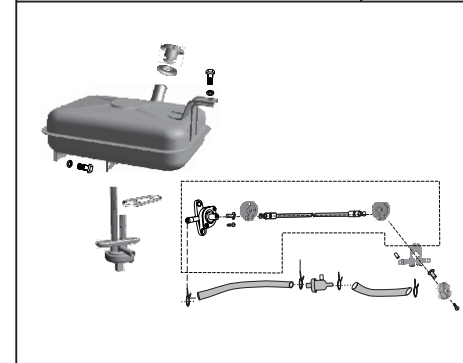


PLATE NO. : 21  
OIL PUMP ASSEMBLY

PAGE NO.:  
24

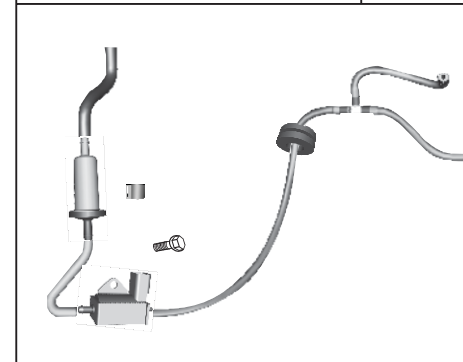


PLATE NO. : 23  
SILENCER ASSLY

PAGE NO.:  
26

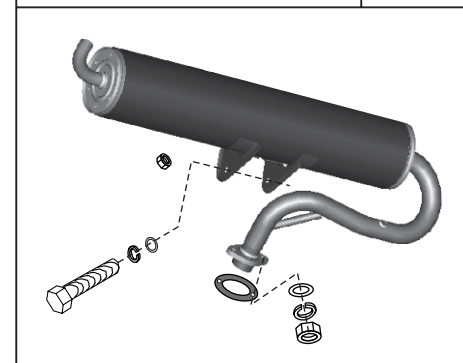


PLATE NO. : 20  
PETROL TANK (CNG / LPG)

PAGE NO.:  
23

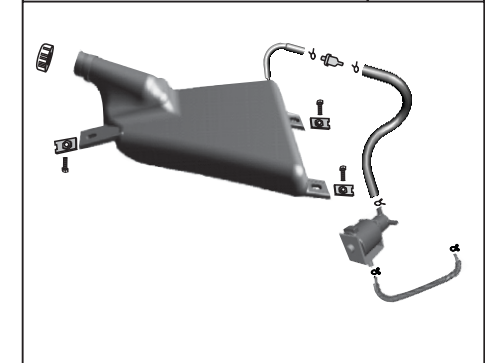


PLATE NO. : 22  
OIL TANK ASSEMBLY

PAGE NO.:  
25

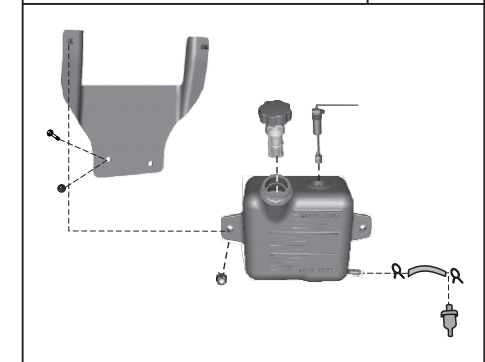


PLATE NO. : 24  
ENGINE MOUNTING UNIT

PAGE NO.:  
27

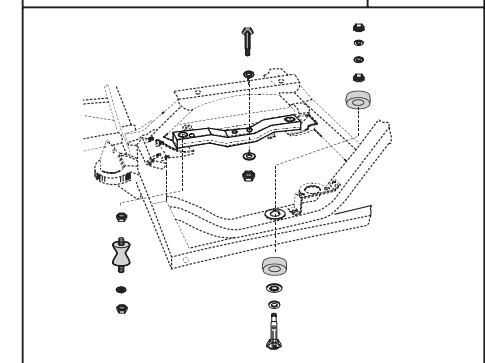


PLATE NO. : 25  
PROPELLER SHAFT / FLANGES

PAGE NO.:  
28

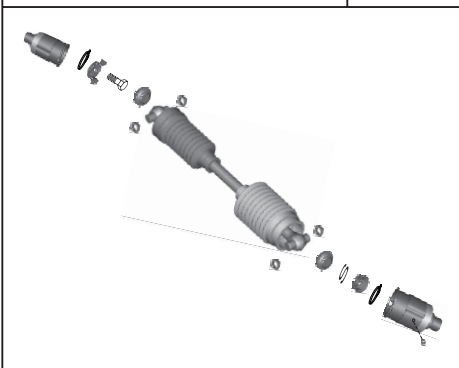


PLATE NO. : 27  
REAR WHEEL EXLE

PAGE NO.:  
30

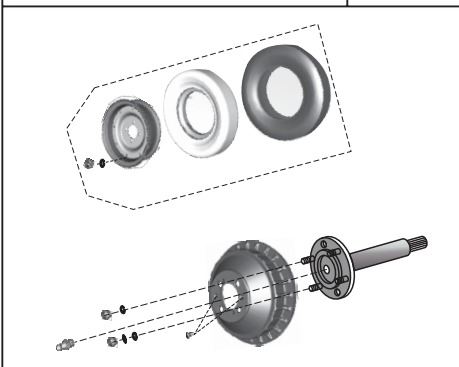


PLATE NO. : 29  
FRONT HUB

PAGE NO.:  
32,33

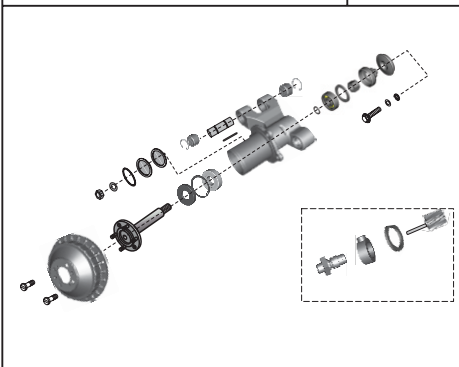


PLATE NO. : 26  
TRAILING ARM ASSEMBLY

PAGE NO.:  
29

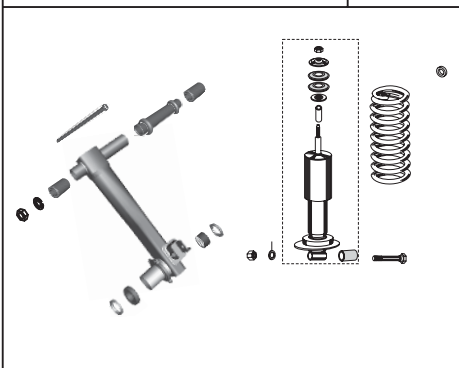


PLATE NO. : 28  
FRONT SHOCK ABSORBER & DRUM

PAGE NO.:  
31

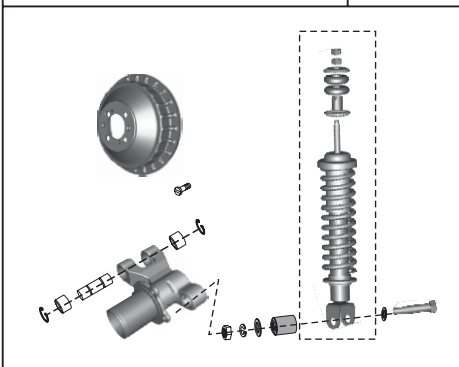


PLATE NO. : 30  
AUTO ADJUSTER BRAKE SYSTEM

PAGE NO.:  
34,35

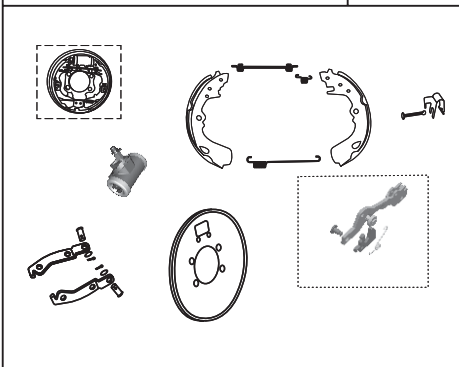


PLATE NO. : 31  
STEERING OLUMN ASSLY.

PAGE NO.:  
36

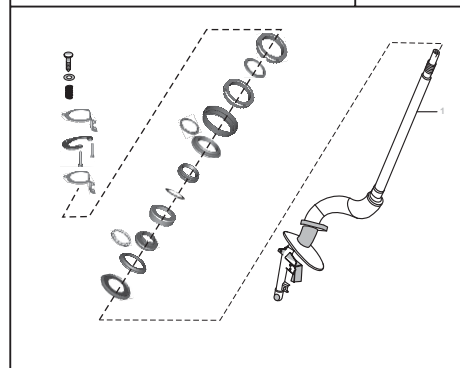


PLATE NO. : 33  
BRAKE PIPE

PAGE NO.:  
38

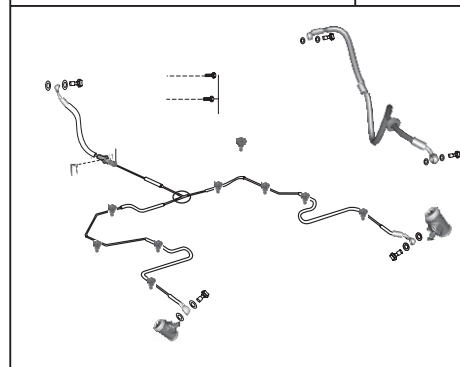


PLATE NO. : 35  
BRAKE PEDAL & PARKING BRAKE

PAGE NO.:  
40

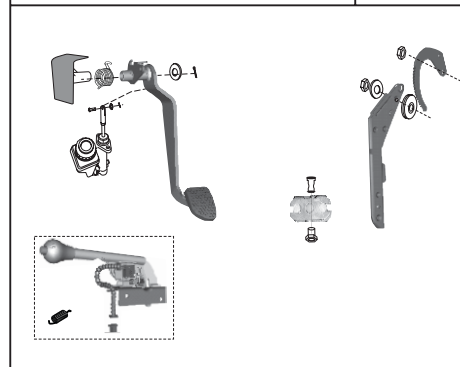


PLATE NO. : 32  
FRONT MUDGUARD

PAGE NO.:  
37

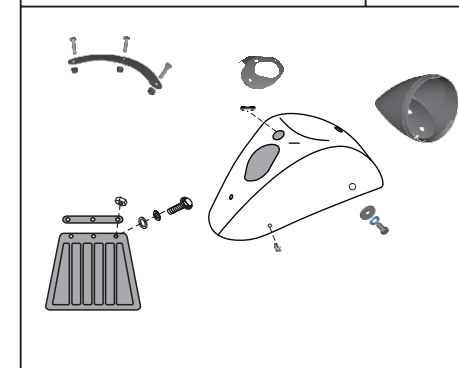


PLATE NO. : 34  
TANDEM MASTER CYLINDER

PAGE NO.:  
39

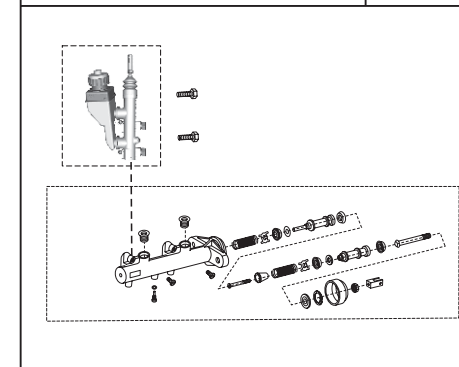
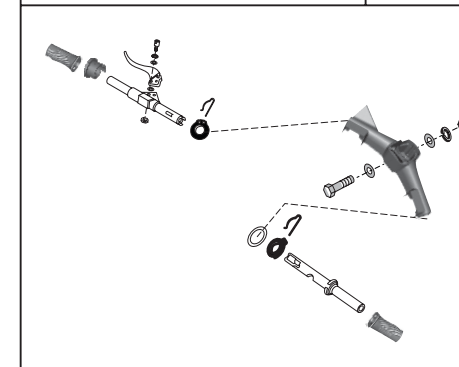


PLATE NO. : 36  
HANDLE BAR ASSEMBLY

PAGE NO.:  
41



**Pictorial Index**

**RE Compact 2S**

PLATE NO. : 37	PAGE NO.:
CONTROL CABLES	42

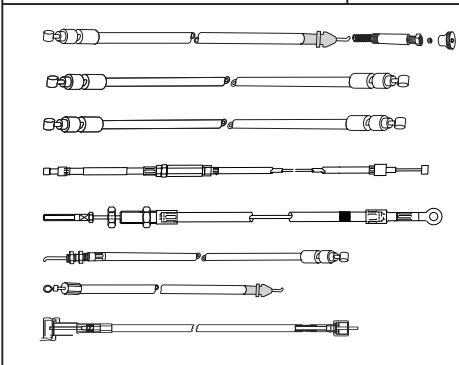


PLATE NO. : 39	PAGE NO.:
CHASSIS	44,45

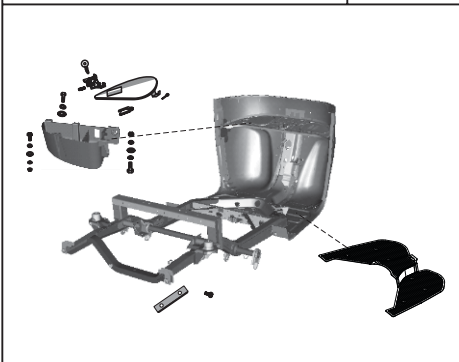


PLATE NO. : 41	PAGE NO.:
HOOD FRAME & SEAT ASSLY	47

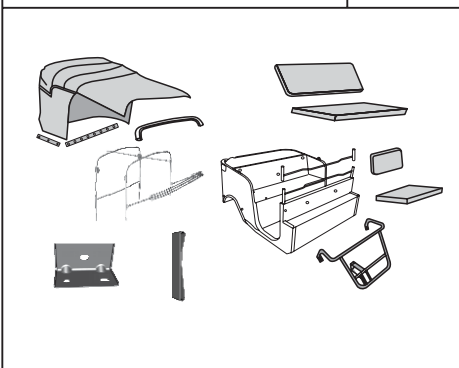


PLATE NO. : 38	PAGE NO.:
WINDSHIELD & WIPER MOTOR	43

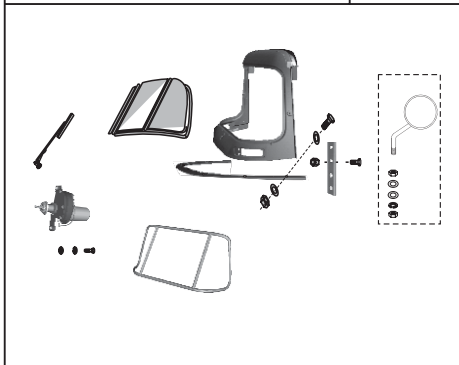


PLATE NO. : 40	PAGE NO.:
STEERING COVER	46

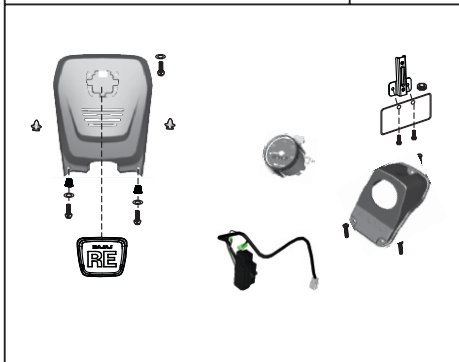
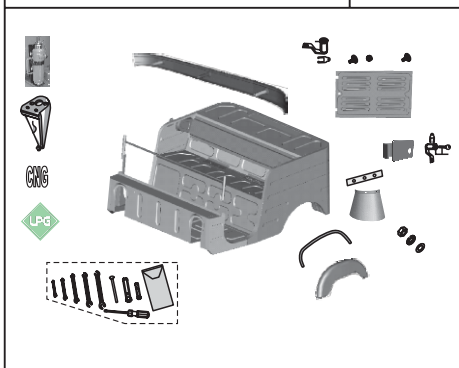


PLATE NO. : 42	PAGE NO.:
PASSENGER BODY	48,49



**Pictorial Index**

**RE Compact 2S**

PLATE NO. : 43	PAGE NO.:
HEAD LIGHT ASSLY & BLINKERS	50

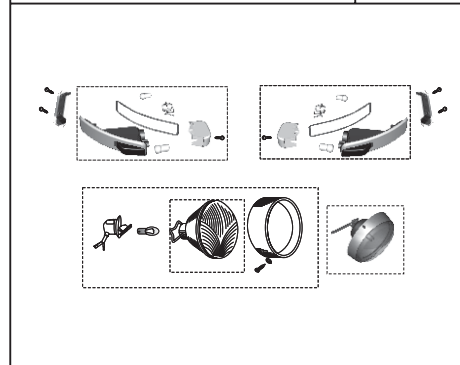


PLATE NO. : 45	PAGE NO.:
ELECTRICAL UNITS	52,53

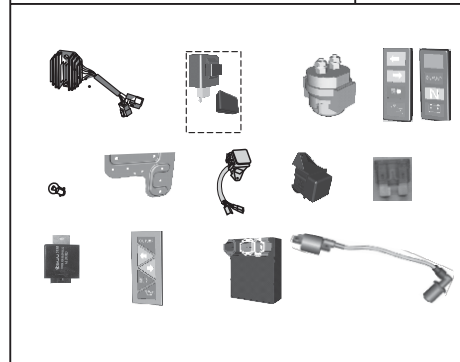


PLATE NO. : 47	PAGE NO.:
BATTERY	55

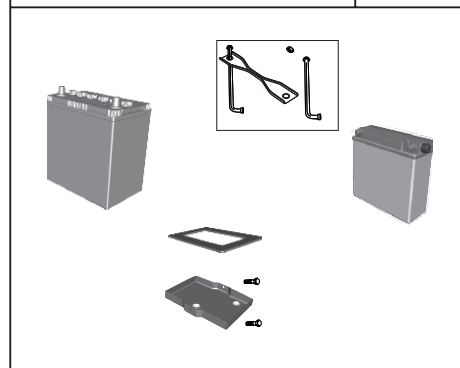


PLATE NO. : 44	PAGE NO.:
TAIL LAMP ASSEMBLY	51

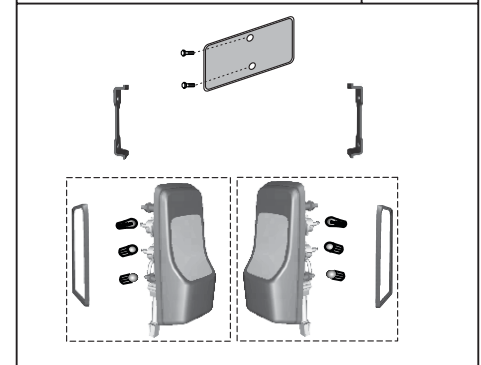


PLATE NO. : 46	PAGE NO.:
SWITCHES & HORN	54

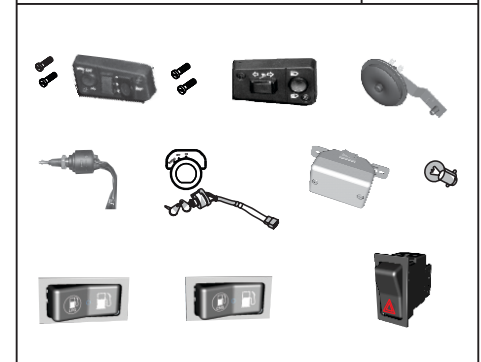


PLATE NO. : 48	PAGE NO.:
CYLINDER FOR CNG & LPG VEHICLE	56

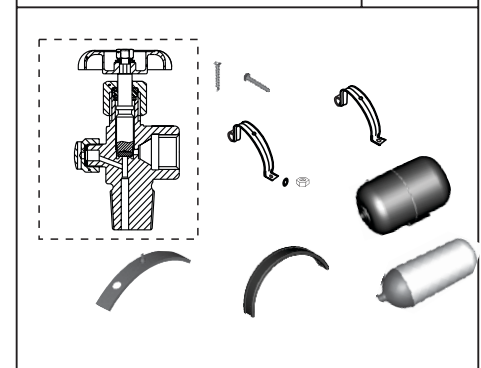


PLATE NO. : 49 HOSES	PAGE NO.: 57
-------------------------	-----------------

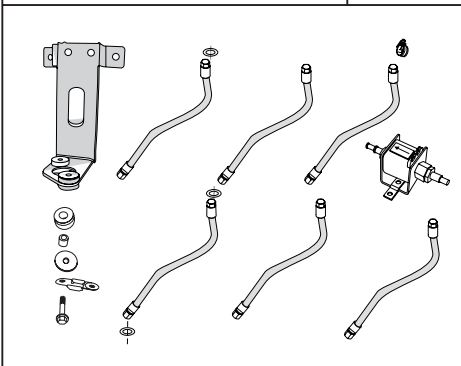


PLATE NO. : 51 1ST STAGE REDUCTION UNIT	PAGE NO.: 59,60
--------------------------------------------	--------------------

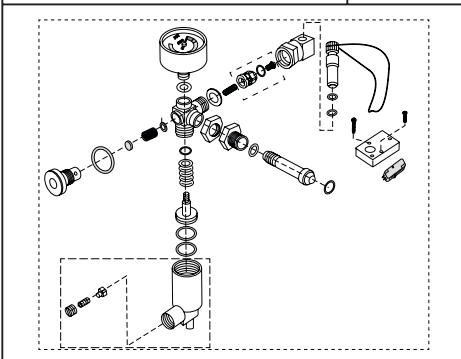


PLATE NO. : 53 FILTER VALVE	PAGE NO.: 63
--------------------------------	-----------------

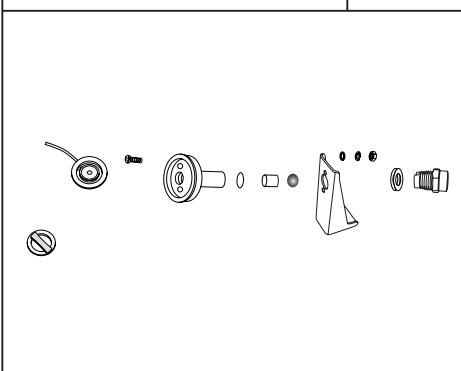


PLATE NO. : 50 RELAY & SOLENOID	PAGE NO.: 58
------------------------------------	-----------------

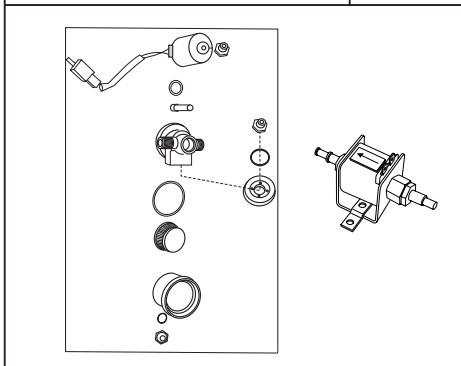


PLATE NO. : 52 REGULATOR	PAGE NO.: 61,62
-----------------------------	--------------------

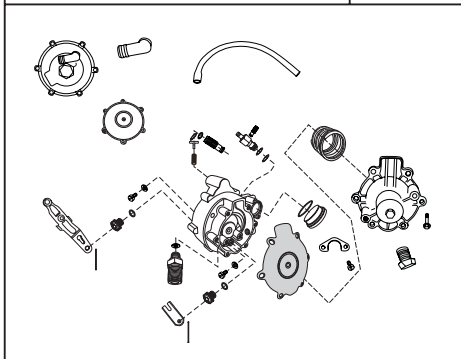


PLATE NO. : 54 MULTI VALVE (ZERO DEG)	PAGE NO.: 64,65
------------------------------------------	--------------------

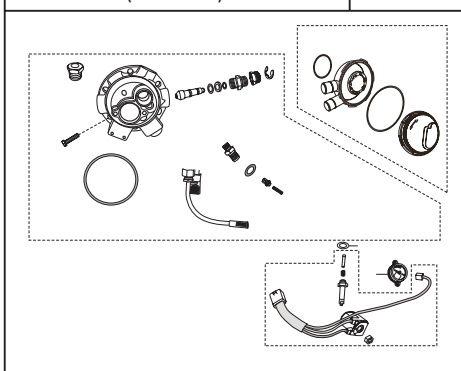


PLATE NO. : 1	PAGE NO.: 1,2
---------------	------------------



PLATE NO. : 3	PAGE NO.:
---------------	-----------

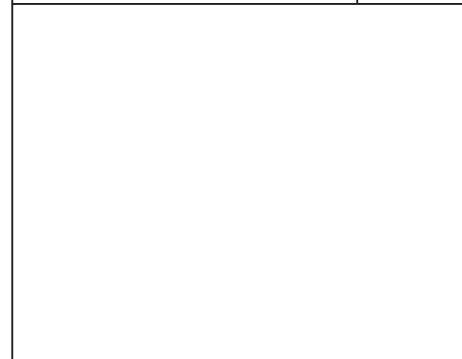


PLATE NO. : 5	PAGE NO.:
---------------	-----------

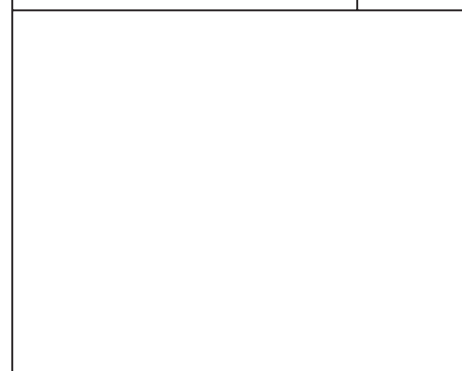


PLATE NO. : 2	PAGE NO.:
---------------	-----------



PLATE NO. : 4	PAGE NO.:
---------------	-----------

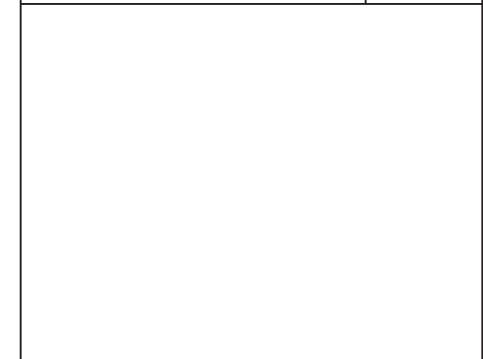
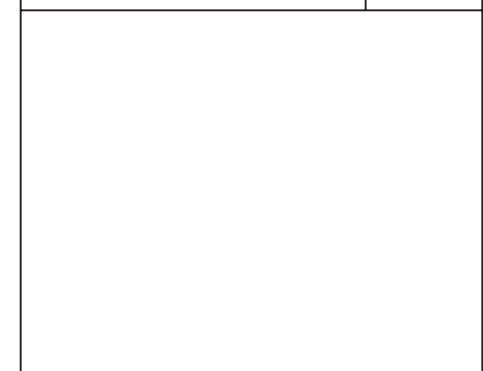
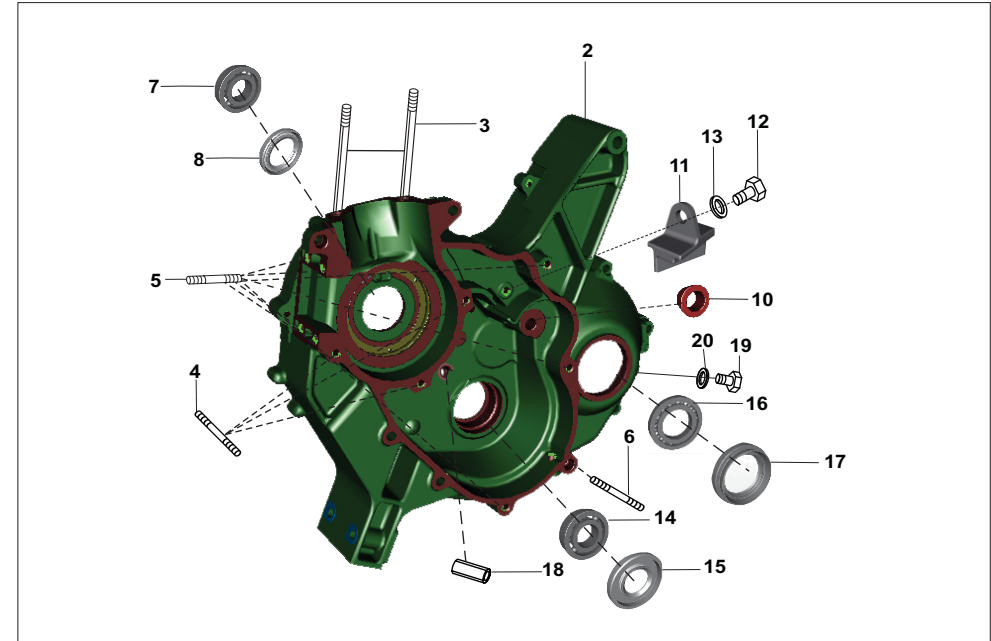
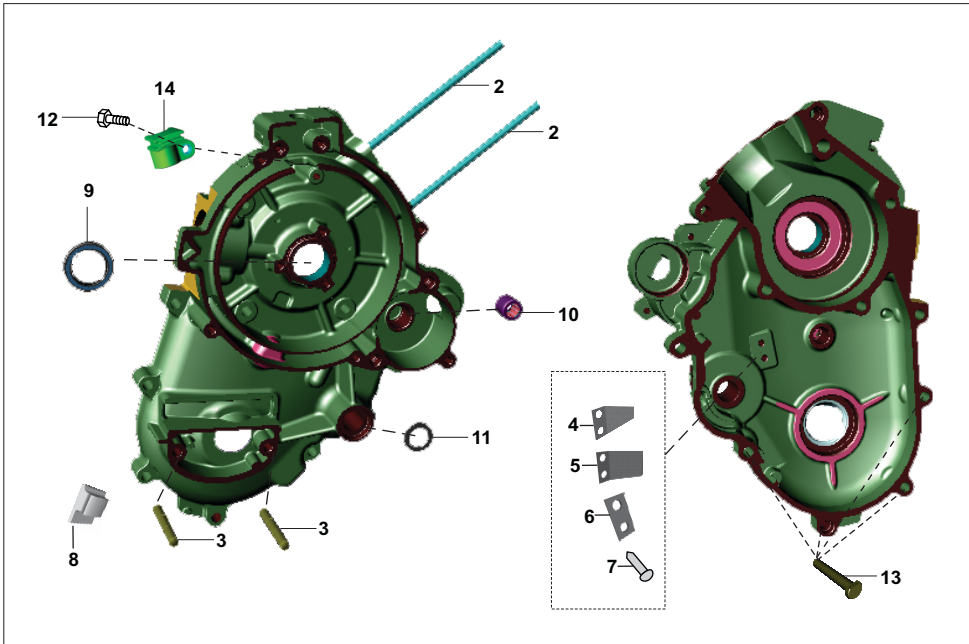


PLATE NO. : 6	PAGE NO.:
---------------	-----------

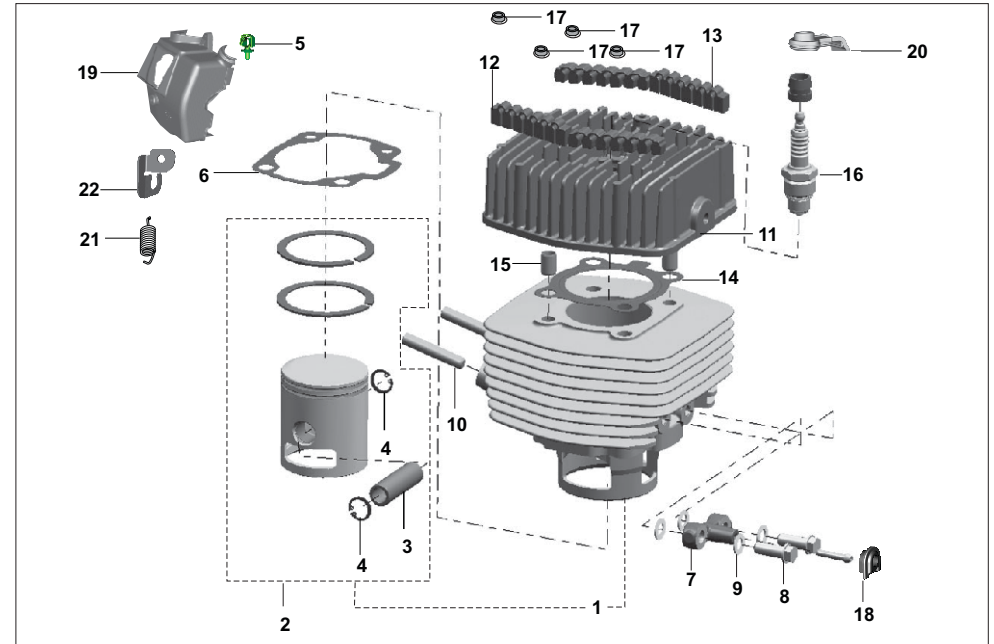




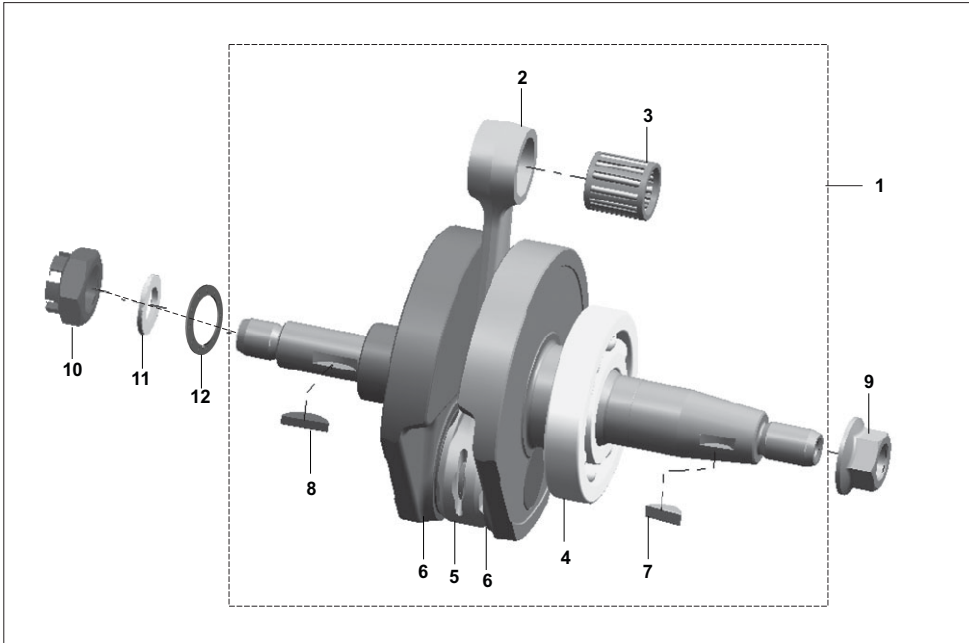
No.	Part No.	Description	Qty/Veh.-ES			NES			Remarks
			24	AG	AS	24	AG	AS	
1	24 1017 84	Engine assy. comp. PET ES	1	-	-	-	-	-	
1a	AG 1010 25	Engine assy. comp. LPG ES	-	1	-	-	-	-	
1b	AS 1010 02	Engine assy. comp. CNG ES	-	-	1	-	-	-	
1c	24 1018 25	Engine assy. comp. PET KS	-	-	-	1	-	-	
1d	AG 1010 24	Engine assy. comp. LPG KS	-	-	-	-	1	-	
1e	AS 1010 01	Engine assy. comp CNG KS	-	-	-	-	-	1	
2	24 1019 00	Crankcase clutch side	1	1	1	1	1	1	
3	AP 1011 46	Stud - M7	2	2	2	2	2	2	
4	39 1653 05	Stud - M7	3	3	3	3	3	3	
5	39 0132 05	Stud - M7	7	7	7	7	7	7	
6	39 1658 05	Stud - M7	1	1	1	1	1	1	
7	03 1003 38	Bearing - crankshaft	1	1	1	1	1	1	
8	AP 1012 26	Oil seal clutch side	1	1	1	1	1	1	
9	AP 1012 07	O-ring	1	1	1	1	1	1	
10	24 1003 05	Bush	1	1	1	1	1	1	
11	AP 1010 54	Bracket oil feed	1	1	1	1	1	1	
12	LA A000 08	Bolt - hexagon head	1	1	1	1	1	1	
13	39 0199 11	Washer - plain	1	1	1	1	1	1	
14	39 1214 20	Bearing ball-20x42x12	1	1	1	1	1	1	
15	AP 1010 74	Seal oil 22x47x7	1	1	1	1	1	1	
16	24 1301 05	Bearing - Ball	1	1	1	1	1	1	
17	BF 5516 13	Seal oil	1	1	1	1	1	1	
18	39 1000 06	Pin - hollow dowel	2	2	2	2	2	2	
19	39 2671 04	Bolt - flanged :- m8	3	3	3	3	3	3	
20	39 1585 11	Washer - plain	3	3	3	3	3	3	



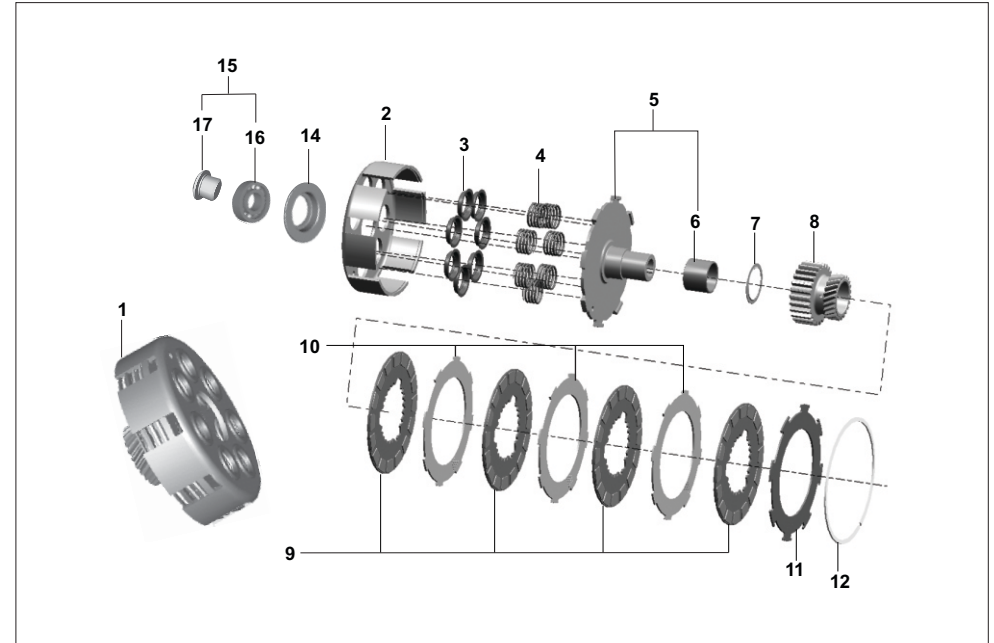
No.	Part No.	Description	Qty/Veh.-ES			NES			Remarks
			24	AG	AS	24	AG	AS	
1	24 1017 64	Crankcase magneto side-facelift	1	1	1	-	-	--	
1a	24 1018 17	Crankcase - magneto side	--	--	--	1	1	1	
2	AP 1011 46	Stud - M7	2	2	2	2	2	2	
3	39 0132 05	Stud - M7	2	2	2	2	2	2	
4	AP 1010 55	Spring plate lower	1	1	1	1	1	1	
5	AP 1010 56	Spring plate upper	1	1	1	1	1	1	
6	AP 1010 57	Spacer pad	1	1	1	1	1	1	
7	LB B000 06	Screw pan cross - M5	2	2	2	2	2	2	
8	CD 1011 02	Buffer -kick	2	2	2	2	2	2	
9	AP 1012 68	Oil seal mag side	1	1	1	1	1	1	
10	AP 1010 43	Bearing - needle bendix	1	1	1	--	--	--	
11	39 2133 19	Seal - Oil	1	1	1	1	1	1	
12	39 2208 04	Bolt - hexagon	1	1	1	1	1	1	
13	39 0089 04	Bolt - `d' :- M7	4	4	4	4	4	4	
14	AP 1010 39	Holder stator harness	1	1	1	1	1	1	
15	36 0010 51	Liquid gasket	1	1	1	1	1	1	



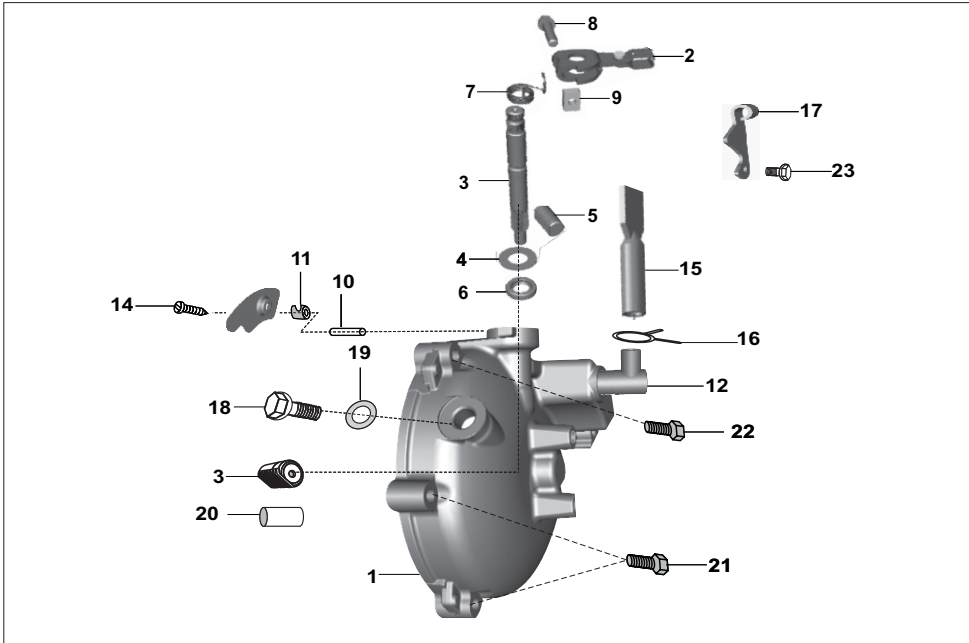
No.	Part No.	Description	Qty/Veh.-ES			NES			Remarks
			24	AG	AS	24	AG	AS	
1	24 1017 74	Assembly cyl. Block piston.	1	1	1	1	1	1	
2	24 1019 25	Assembly piston samkrg	1	1	1	1	1	1	
3	06 1011 96	Gudgeon pin-samkrg	1	1	1	1	1	1	
4	39 0340 17	Internal circlip	2	2	2	2	2	2	
5	24 1018 79	Clip cable shroud	1	1	1	1	1	1	
6	AP 1010 05	Gasket cyl block	1	1	1	1	1	1	
7	AP 1210 73	Assy rail oil feed	1	1	1	1	1	1	
8	39 1023 04	Bolt rail	2	2	2	2	2	2	
9	31 1210 06	Gasket	4	4	4	4	4	4	
10	39 1423 05	Stud - M8	2	2	2	2	2	2	
11	24 1017 77	Cylinder head	1	1	1	1	1	1	
12	AP 1010 50	Damper A	2	2	2	2	2	2	
13	AP 1010 51	Damper B	2	2	2	2	2	2	
14	24 1017 23	Gasket head cylinder	1	1	1	1	1	1	
15	39 1000 06	Hollow dowel pin	2	2	2	2	2	2	
16	24 1161 49	Plug spark :- wr4ac (mico)	1	1	1	1	1	1	
17	AP 1012 09	Nut flange	4	4	4	4	4	4	
18	AP 1210 86	Grommet oil rail	1	1	1	1	1	1	
19	24 1019 27	Assembly shroud LH	1	1	1	1	1	1	(higher assly)
19	24 1019 71	Assembly shroud LH	1	1	1	1	1	1	
20	24 1017 66	Cover sparkplug	1	1	1	1	1	1	
21	30 1011 29	Spring	1	1	1	1	1	1	
22	JB 1510 20	Hook speed cable	1	1	1	1	1	1	
23	39 1675 04	Bolt f for shroud	4	4	4	4	4	4	



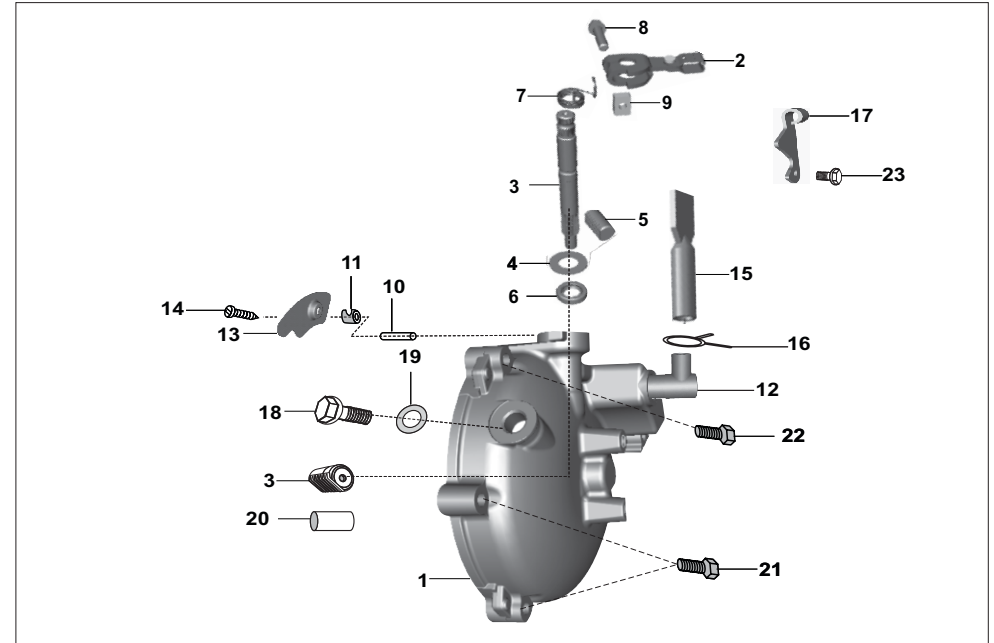
No.	Part No.	Description	Qty/Veh.-ES			NES			Remarks
			24	AG	AS	24	AG	AS	
1	24 1019 64	Crankshaft assembly facelift	1	1	1	1	1	1	Incl-3,4,5,6
2		Connecting rod	1	1	1	1	1	1	
3	03 1006 09	NRB -small end	1	1	1	1	1	1	
4	03 1003 38	Bearing with steel cage	1	1	1	1	1	1	
5	35 1011 36	NRB -big end 1	1	1	1	1	1	1	
6	02 1006 08	Washer For con. rod	2	2	2	2	2	2	
6	24 1019 61	Washer For con. rod modified	2	2	2	2	2	2	fr.01.10.15
7	AP 1012 57	Key woodruff -C'shaft mag side	1	1	1	1	1	1	
8	01 1006 11	Key-woodruff for clutch side	1	1	1	1	1	1	
9	39 2615 15	Nut Flange M12 X 1 17	1	1	1	1	1	1	
10	AP 1012 13	Nut castle (pre coated)	1	1	1	1	1	1	
11	AP 1010 60	Washer belleville	1	1	1	1	1	1	
12	AP 1010 92	Damper	1	1	1	1	1	1	



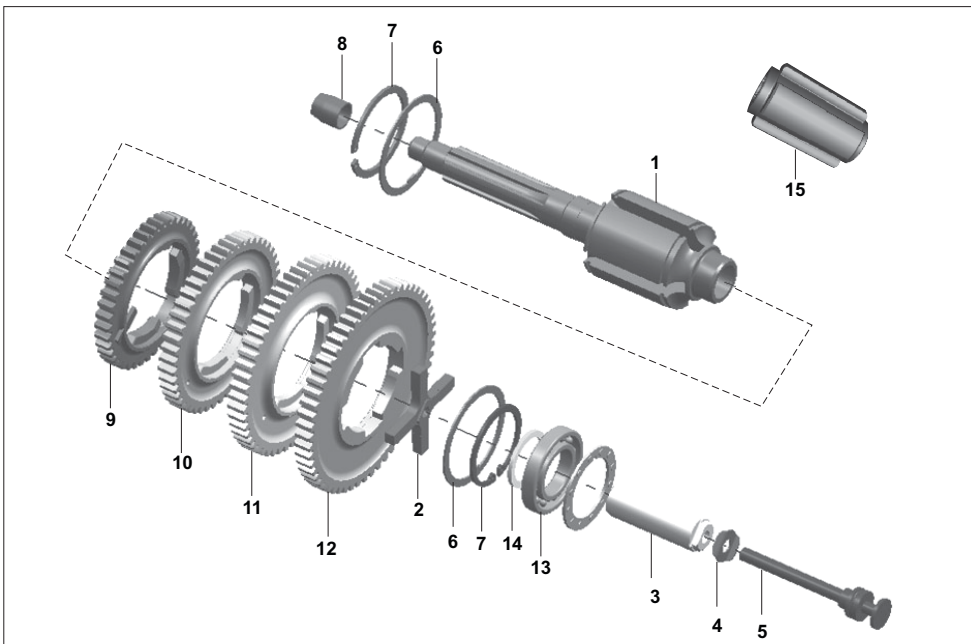
No.	Part No.	Description	Qty/Veh.-ES			NES			Remarks
			24	AG	AS	24	AG	AS	
1	24 1017 81	Clutch assly. comp	1	1	--	1	1	--	
1a	AP 1010 13	Clutch assly. comp	--	--	1	--	--	1	
2	AP 1010 14	Clutch housing	1	1	1	1	1	1	
3	AP 1010 19	Holder spring clutch	7	7	7	7	7	7	
4	AP 1010 18	Spring clutch	7	7	7	7	7	7	
5	AP 1010 41	Clutch bush assy	1	1	1	1	1	1	Incl-part no-6,6a
6	AP 1012 89	Bush sintered	1	1	1	1	1	1	alt-AP101016
7	01 1008 18	Washer - brass	1	1	1	1	1	1	
8	24 1017 82	Gear engine	1	1	--	1	1	--	
8	AP 1010 15	Gear engine	--	--	1	--	--	1	
9	AP 1012 92	Plate clutch friction	4	4	4	4	4	4	
10	24 1017 51	Plate clutch	3	3	3	3	3	3	
11	AP 1012 91	Plate clutch outer	1	1	1	1	1	1	
12	35 1011 76	Ring - lock reed valve	1	1	1	1	1	1	
13	AP 1012 27	Spacer	1	1	1	1	1	1	
14	AP 1012 35	Holder	1	1	1	1	1	1	
15	AP 1011 92	Assly rod bush	1	1	1	1	1	1	Incl- Part no- 16,17
16	AP 1011 78	Rod push	1	1	1	1	1	1	
17	AP 1012 36	Bearing ball	1	1	1	1	1	1	



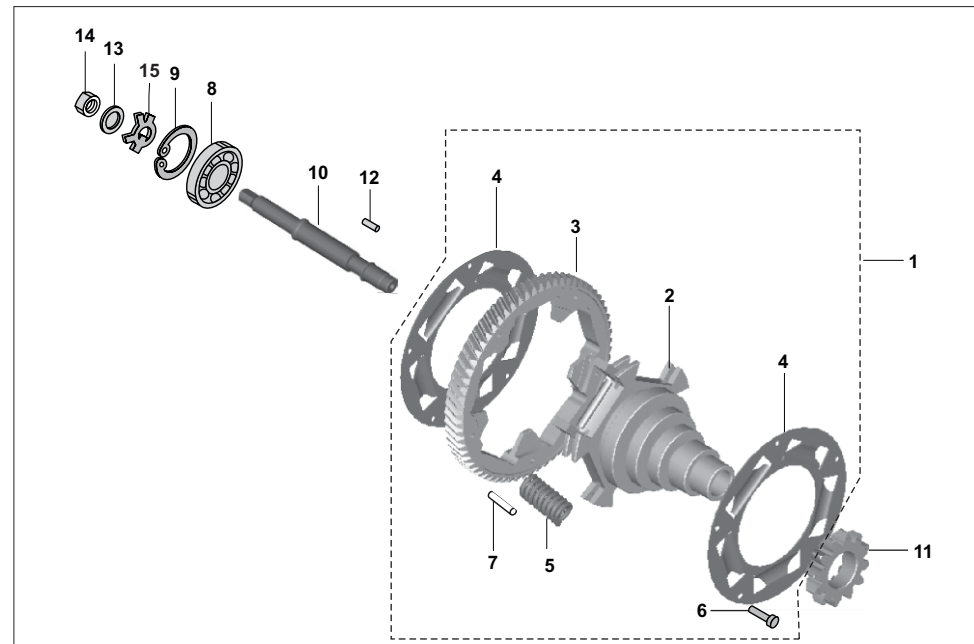
No.	Part No.	Description	Qty/Veh.-ES			NES			Remarks
			24	AG	AS	24	AG	AS	
1	24 1019 01	Cover clutch	1	1	1	1	1	1	
2	AP 1012 79	Lever assembly clutch	1	1	1	1	1	1	
3	AP 1010 22	Shaft clutch	1	1	1	1	1	1	
4	39 2443 11	Washer - plain	1	1	1	1	1	1	
5	DH 1011 41	Rack	1	1	1	1	1	1	
6	39 1041 19	Seal - Oil	1	1	1	1	1	1	
7	AP 1010 26	Spring torsion	1	1	1	1	1	1	
7	24 1019 29	Spring torsion clutch return	1	1	1	1	1	1	
8	39 1674 04	Bolt - flanged :- small	1	1	1	1	1	1	
9	DH 1012 75	Nut - special	1	1	1	1	1	1	
10	AP 1011 49	Pin shaft retainer	1	1	1	1	1	1	
11	39 0447 06	Pin - spring type straight	1	1	1	1	1	1	
12	AP 1010 61	Fitting breather	1	1	1	1	1	1	
13	AP 1010 30	Plate breather	1	1	1	1	1	1	NS
14	AP 1012 55	Screw pan M5x10(pre-coated)	1	1	1	1	1	1	
15	AP 1011 72	Tube breather	1	1	1	1	1	1	
16	AP 1011 74	Spring clip	1	1	1	1	1	1	
17	AP 1012 81	Holder clutch cable	1	1	1	1	1	1	
18	39 1674 04	Bolt - flange :- M6 X 25	1	1	1	1	1	1	
19	31 1011 06	Gasket	1	1	1	1	1	1	



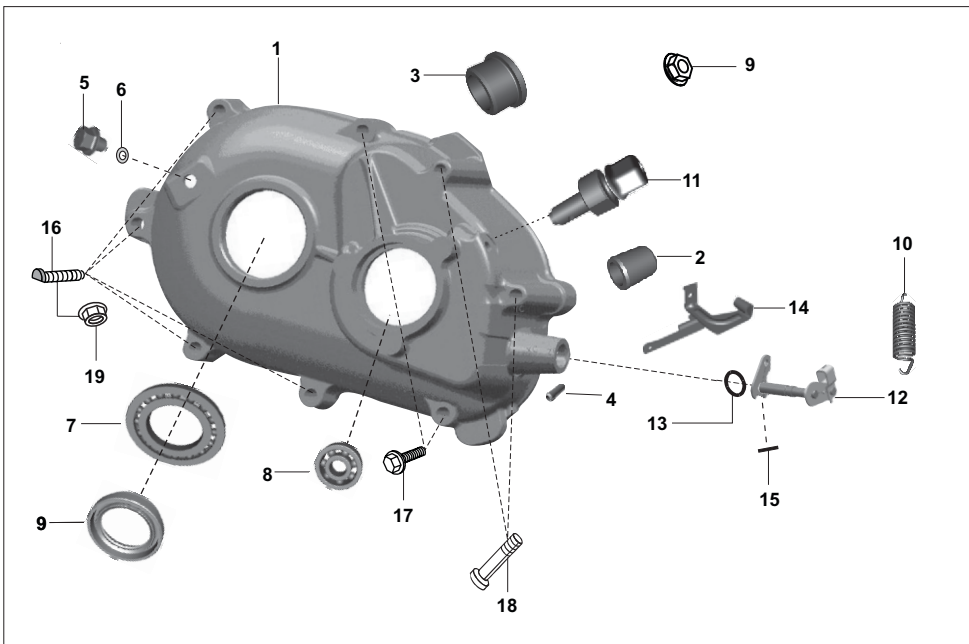
No.	Part No.	Description	Qty/Veh.-ES			NES			Remarks
			24	AG	AS	24	AG	AS	
20	39 0999 06	Pin - hollow dowel	1	1	1	1	1	1	
21	39 1074 04	Bolt - flanged :- small	2	2	2	2	2	2	
22	39 1065 04	Bolt - flanged :- small	4	4	4	4	4	4	
23	39 1949 04	Bolt - flanged :- small	1	1	1	1	1	1	
24	KA ED06 14	Bolt - flanged :- small	1	1	1	1	1	1	NI
25	36 0010 51	Liquid gasket	1	1	1	1	1	1	



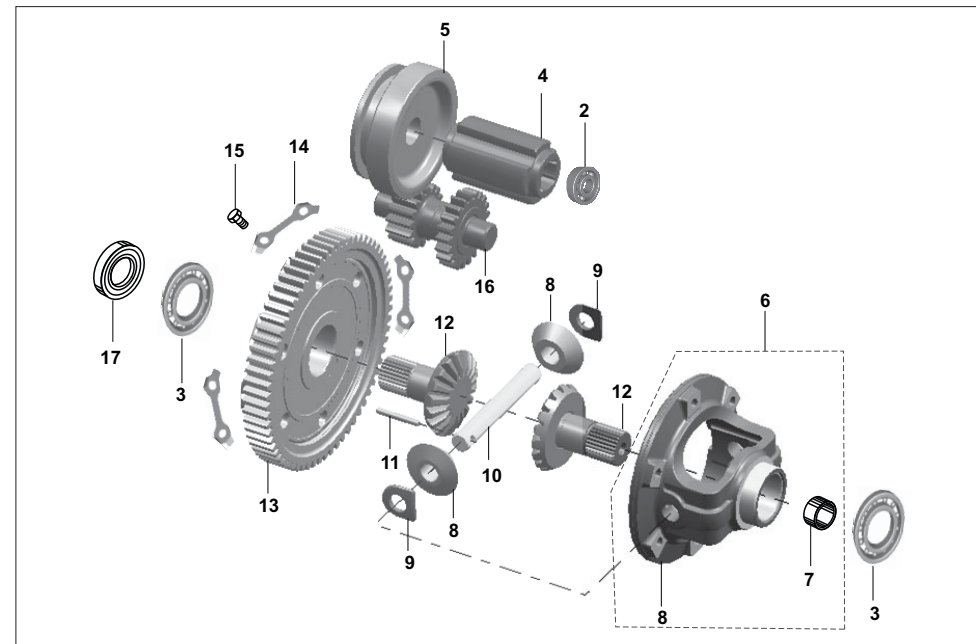
No.	Part No.	Description	Qty/Veh.-ES			NES			Remarks
			24	AG	AS	24	AG	AS	
1	AP 1010 78	Main shaft	1	1	1	1	1	1	
2	35 1010 59	Cross (flat type)	1	1	1	1	1	1	
3	AP 1010 79	Guide bush	1	1	1	1	1	1	
4	BA 1320 45	Plain washer	1	1	1	1	1	1	
5	24 1019 56	Guide Stem	1	1	1	1	1	1	
6	19 1010 16	Shoulder ring No. 1	1	1	1	1	1	1	
6	19 1010 17	Shoulder ring No. 2	1	1	1	1	1	1	
6	19 1010 18	Shoulder ring No. 3	1	1	1	1	1	1	
6	19 1010 19	Shoulder ring No. 4	1	1	1	1	1	1	
6	19 1010 20	Shoulder ring No. 5	1	1	1	1	1	1	
7	21 1007 11	Circlip	2	2	2	2	2	2	
8	AA 1012 95	Bush - Drive	1	1	1	1	1	1	
9	24 1018 03	4th Speed gear	1	1	1	1	1	1	
10	24 1018 04	3rd Speed gear	1	1	1	1	1	1	
11	24 1019 39	2nd Speed gear(52 T)	1	1	1	1	1	1	fr.11.3.2014
12	24 1018 06	1st Speed gear	1	1	1	1	1	1	
13	AP 1011 65	Bearing main shaft	1	1	1	1	1	1	
14	AP 1011 85	Spacer main shaft	1	1	1	1	1	1	
15	AP 1011 87	Sleeve main shaft	1	1	1	1	1	1	
16	24 1019 42	Assly main shaft comp with gears	1	1	1	1	1	1	fr.11.3.2014



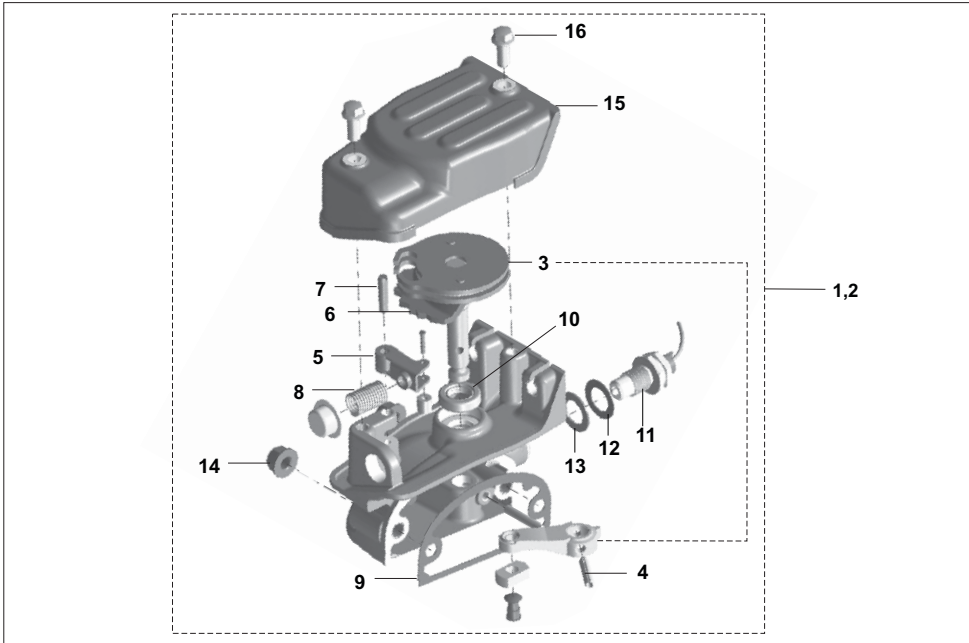
No.	Part No.	Description	Qty/Veh.-ES			NES			Remarks
			24	AG	AS	24	AG	AS	
1	24 1017 92	Gear multiple assy. Comp.	1	1	--	1	1	--	Incl- 2,3,4,5,6,7
1	AP 1011 57	Gear multiple assy. Comp.	--	--	1	--	--	1	
1	24 1019 37	Gear multiple assy. Comp.	1	1	--	1	1	--	
1	AS 1010 05	Gear multiple assy. Comp.	--	--	1	--	--	1	FR.11.03.2014
2	24 1019 38	Gear multiple	1	1	1	1	1	1	FR.11.03.2014
3	24 1017 91	Gear corona	1	1	--	1	1	--	
3	AP 1011 59	Gear corona	--	--	1	--	--	1	
4	AP 1011 60	Plate cush gear	2	2	2	2	2	2	
5	AP 1011 62	Spring	5	5	5	5	5	5	
6	39 0161 09	Rivet - countersunk head	5	5	5	5	5	5	
7	AP 1011 64	Pin spring retainer	1	1	1	1	1	1	
8	06 1010 09	Bearing - ball	1	1	1	1	1	1	
9	03 1701 27	Circlip	1	1	1	1	1	1	
10	24 1018 99	Pin multiple gear	1	1	1	1	1	1	
11	06 1010 07	Gear - starter	1	1	1	1	1	1	
12	01 1010 08	Roller	21	21	21	21	21	21	
13	24 1017 14	Washer - plain :- 8.5 x 16 x 2	1	1	1	1	1	1	
14	LC A000 03	Nut 'U'	1	1	1	1	1	1	
15	24 1017 12	Lock washer	1	1	1	1	1	1	



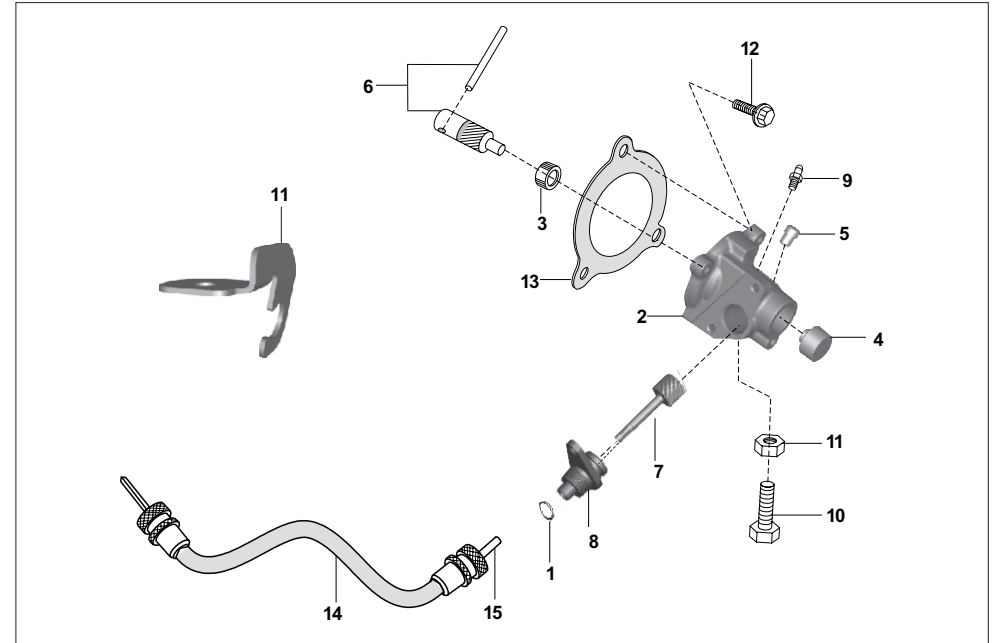
No.	Part No.	Description	Qty/Veh.-ES			NES			Remarks
			24	AG	AS	24	AG	AS	
1	AP 1010 95	Differential cover	1	1	1	1	1	1	
2	BA 1321 22	Hollow dowel	2	2	2	2	2	2	
3	24 1003 05	Bush	1	1	1	1	1	1	
4	39 0455 06	Spring dowel sleeve	1	1	1	1	1	1	
5	35 1010 60	Oil Plug	1	1	1	1	1	1	
6	39 1585 11	Plain washer	1	1	1	1	1	1	
7	24 1301 05	Ball bearing	1	1	1	1	1	1	
8	39 2542 20	Ball bearing	1	1	1	1	1	1	
9	BF 5516 13	Oil seal	1	1	1	1	1	1	
10	AA 1310 44	Tension spring	1	1	1	1	1	1	
11	24 1010 69	Breather assembly	1	1	1	1	1	1	Incl.Cap
12	24 1017 93	Lever & sector complete	1	1	1	1	1	1	
13	01 1009 05	'O' ring	1	1	1	1	1	1	
14	24 1311 16	Bkt. reverse cable	1	1	1	1	1	1	
15	39 0426 06	Pin - spring type straight	1	1	1	1	1	1	
16	39 0089 04	'D' bolt	4	4	4	4	4	4	
17	39 2541 04	Bolt short	2	2	2	2	2	2	
18	24 1311 01	Bolt long	2	2	2	2	2	2	
19	39 2369 15	Flange nut	8	8	8	8	8	8	
20	36 0010 51	Liquid gasket	1	1	1	1	1	1	



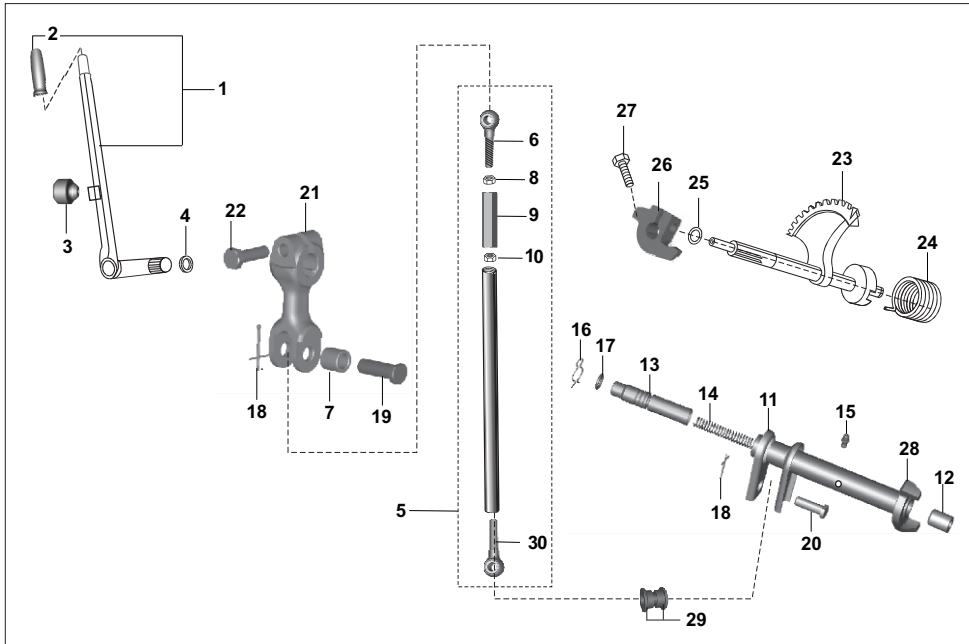
No.	Part No.	Description	Qty/Veh.-ES			NES			Remarks
			24	AG	AS	24	AG	AS	
1	AP 1011 40	Assly differential gear	1	1	1	1	1	1	
2	39 2542 20	Ball bearing	1	1	1	1	1	1	
3	24 1301 05	Ball bearing	2	2	2	2	2	2	
4	AP 1011 87	Sleeve main shaft	1	1	1	1	1	1	
5	AP 1010 93	Reverse control gear	1	1	1	1	1	1	
6	AA 1310 33	Satellite gear hsg. assly.	1	1	1	1	1	1	Incl-7,8
7	24 1301 11	Bush	1	1	1	1	1	1	
8	22 1310 18	Satellite gear	2	2	2	2	2	2	
9	22 1310 14	Spacer washer	2	2	2	2	2	2	
10	24 1310 32	Satellite gear pin	1	1	1	1	1	1	
11	24 1301 13	Locking pin	1	1	1	1	1	1	
12	24 1310 09	Gear bevel - 2 slider	2	2	2	2	2	2	
13	AP 1011 39	Differential gear	1	1	1	1	1	1	
14	22 1710 00	Lock plate	3	3	3	3	3	3	
15	39 0435 01	Bolts flanged	6	6	6	6	6	6	
16	AP 1011 38	Idler gear	1	1	1	1	1	1	
17	BF 5516 13	Oil seal	1	1	1	1	1	1	
18	36 2413 06	Kit bevel/sat gear	1	1	1	1	1	1	
19	36 2417 03	Kit slider block pin	1	1	1	1	1	1	



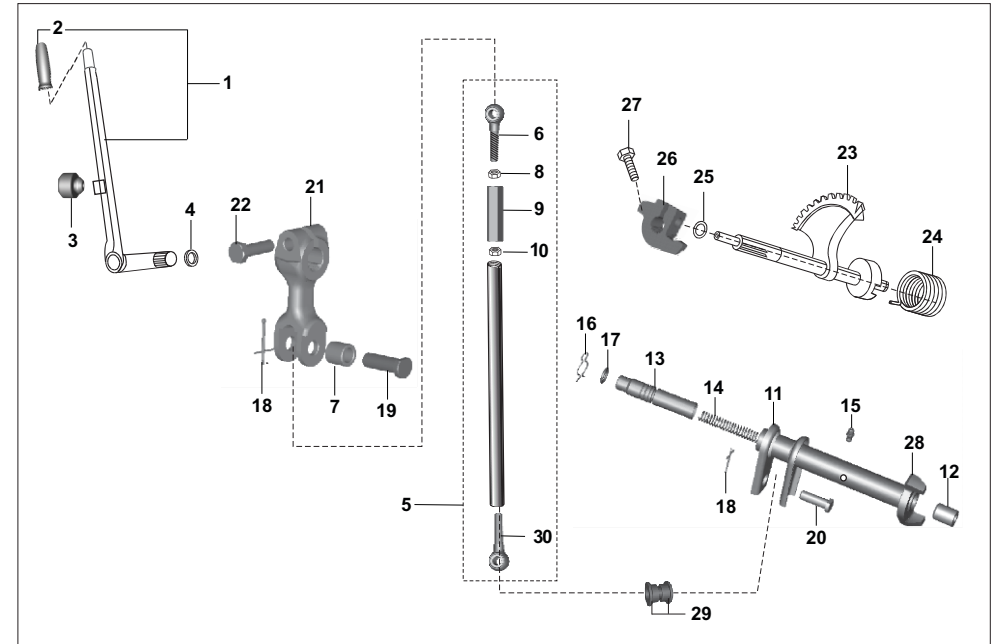
No.	Part No.	Description	Qty/Veh.-ES			NES			Remarks
			24	AG	AS	24	AG	AS	
1	AP 1010 81	Gear shifter complete	1	1	1	1	--	--	Incl-3,4
2	AP 1012 49	Gear shifter complete	--	--	--	--	1	1	
3	AP 1010 83	Assembly lever and sector	1	1	1	1	1	1	
4	39 2202 07	Parallel pin	1	1	1	1	1	1	
5	24 1011 11	Bracket assembly with roller	1	1	1	1	1	1	
6	24 1012 01	Gear assembly - sector	1	1	1	1	1	1	
7	06 1011 11	Screw for bracket	1	1	1	1	1	1	
8	06 1011 12	Spring	1	1	1	1	1	1	
9	CD 1010 80	Gasket for gear shifter housing	1	1	1	1	1	1	
10	39 1041 19	Oil seal	1	1	1	1	1	1	
11	AP 1110 23	Neutral switch ap101081	1	1	1	1	1	1	
12	20 1010 20	Aluminum washer	1	1	1	1	1	1	
13	39 0804 11	Plain washer	1	1	1	1	1	1	
14	39 2369 15	Flange nut	2	2	2	2	2	2	
15	AP 1011 98	Cup spring detent	1	1	1	1	1	1	
15	AP 1010 91	Cover gear shifter	1	1	1	1	1	1	
16	39 1964 04	Bolt	2	2	2	2	2	2	



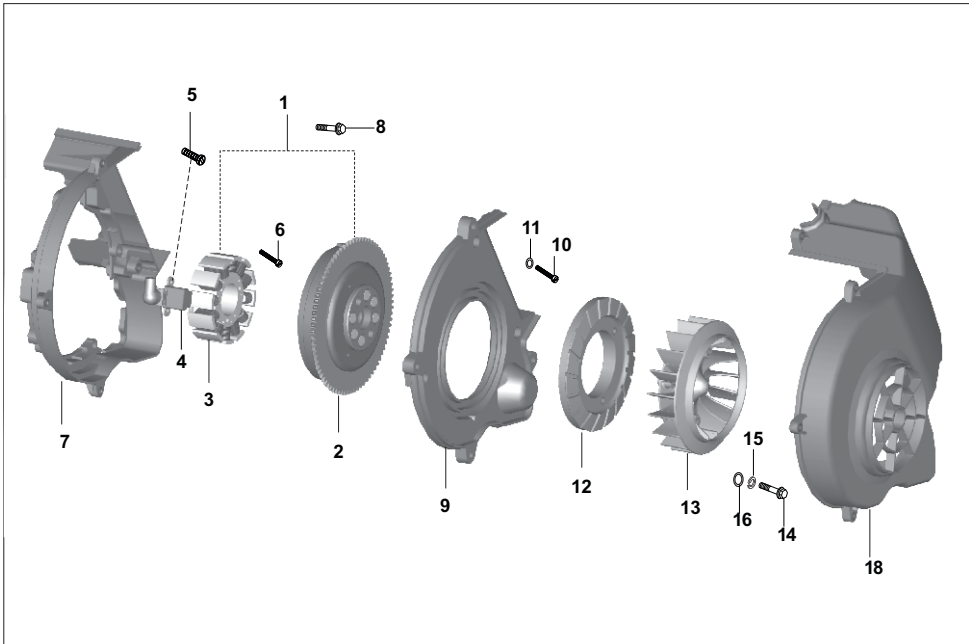
No.	Part No.	Description	Qty/Veh.-ES			NES			Remarks
			24	AG	AS	24	AG	AS	
1	39 1587 21	'O' ring	1	1	1	1	1	1	NI
2	AA 1017 45	Fare meter housing assly	1	1	1	1	1	1	
3	24 1310 07	Plastic bush	1	1	1	1	1	1	
4	24 1310 08	Plug	1	1	1	1	1	1	
5	03 1701 09	Pin	1	1	1	1	1	1	
6	AA 1017 43	Fare meter pinion assly	1	1	1	1	1	1	
6	Aa 1017 50	Assembly pinion-faremeter	1	1	1	1	1	1	
6a	24 1310 03	Wire	1	1	1	1	1	1	
7	24 1302 09	Fare meter gear	1	1	1	1	1	1	
8	AA 1017 42	Bush	1	1	1	1	1	1	
9	23 1613 05	Grease nipple	1	1	1	1	1	1	
10	KA Da05 12	Hex bolt	1	1	1	1	1	1	
11	JB 1510 20	Hook for speedo cable	1	1	1	1	1	1	
12	59 0400 29	Hex bolt flange type	3	3	3	3	3	3	
13	AA 1310 04	Gasket Fare meter Housing	1	1	1	1	1	1	
14	AA 2510 01	Fare meter cable comp.	1	--	--	1	--	--	
15	AA 2510 03	Inner cable (fare meter)	1	--	--	1	--	--	
16	AA 1017 47	Seal rubber-faremeter	1	1	1	1	1	1	
17	AA 1018 78	Clip faremeter	1	1	1	1	1	1	



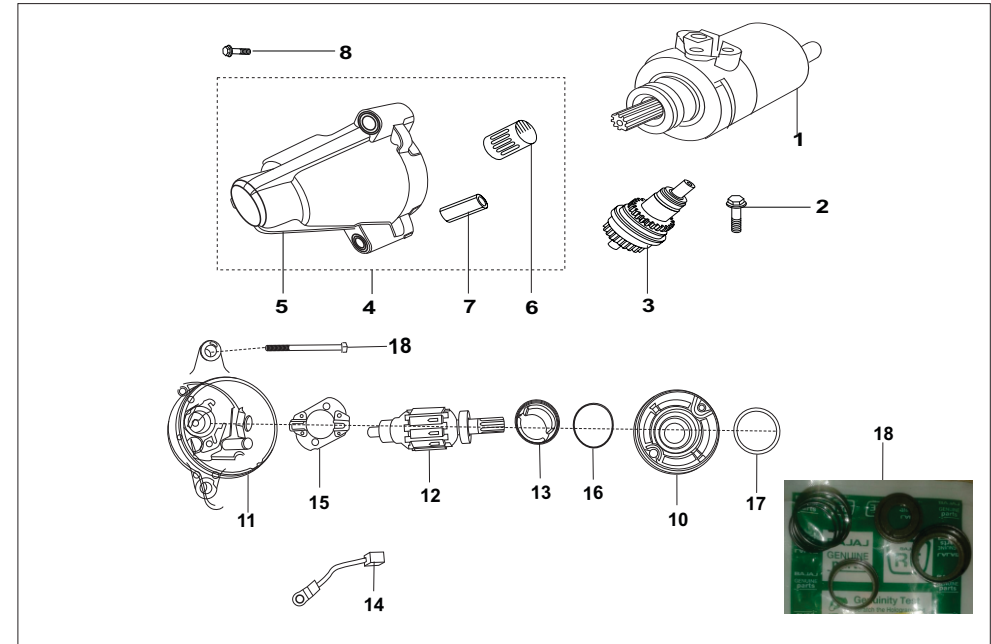
No.	Part No.	Description	Qty/Veh.-ES			NES			Remarks
			24	AG	AS	24	AG	AS	
1	AZ 6210 19	Starting handle with grip	1	1	1	1	1	1	
2	22 1011 15	Starting handle grip	1	1	1	1	1	1	
3	DG 1611 24	Damper	1	1	1	1	1	1	
4	24 1014 14	Washer	2	2	2	2	2	2	
5	24 1016 15	Connecting tube asly comp.	1	1	1	1	1	1	
6	24 1014 17	Bolt - eye :- R. H. Thread	1	1	1	1	1	1	NS
7	24 1015 72	Nylon bush connection lever	1	1	1	1	1	1	NS
8	39 0296 15	Hexagon nut R.H.thread	1	1	1	1	1	1	
9	24 1016 16	Connector	1	1	1	1	1	1	
10	24 1014 19	Hexagon nut L.H. thread	1	1	1	1	1	1	
11	24 1018 80	Assly starting tube	1	1	1	1	1	1	
12	24 1018 81	Assembly starting tube fl	1	1	1	1	1	1	
13	24 1014 09	Pin for lever support	1	1	1	1	1	1	
14	21 1014 27	Spring	1	1	1	1	1	1	
15	23 1613 05	Grease nipple	1	1	1	1	1	1	



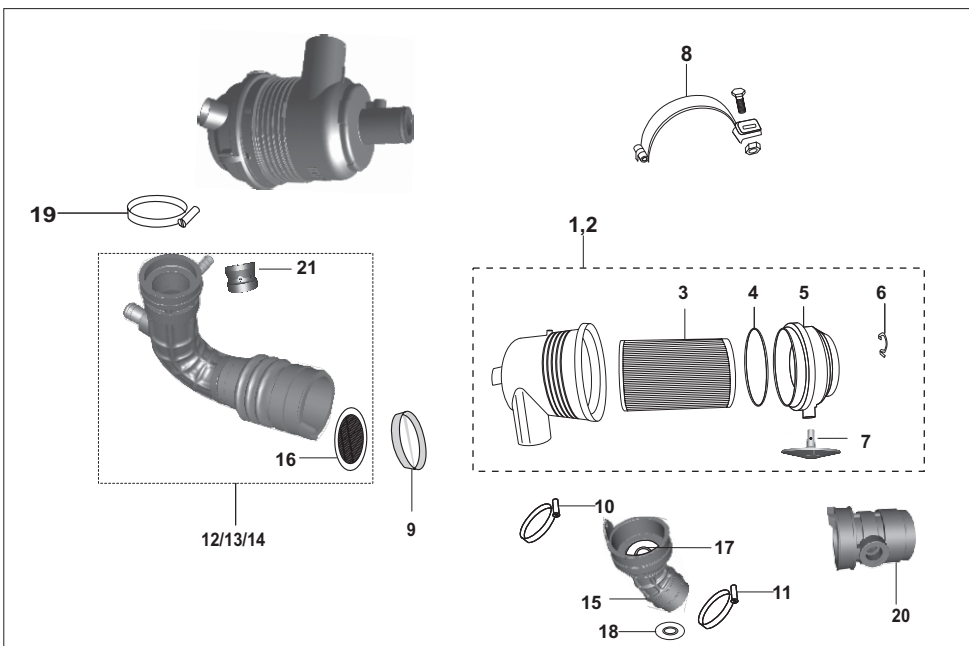
No.	Part No.	Description	Qty/Veh.-ES			NES			Remarks
			24	AG	AS	24	AG	AS	
16	21 1014 29	Spring clip	1	1	1	1	1	1	
17	03 1801 16	'O' ring	1	1	1	1	1	1	
18	39 0799 08	Pin cotter	2	2	2	2	2	2	
19	24 1014 21	Pin	1	1	1	1	1	1	
20	24 1014 22	Pin	1	1	1	1	1	1	
21	AA 1013 29	Lever driver side	1	1	1	1	1	1	
22	39 1389 04	Bolt hex M8	1	1	1	1	1	1	
23	24 1012 01	Sector gear assly	1	1	1	1	1	1	With cup & spindle
24	01 1012 05	Return Spring	1	1	1	1	1	1	
25	39 0266 12	Spring washer	1	1	1	1	1	1	
26	24 1012 03	Driven dog	1	1	1	1	1	1	
27	39 0451 04	Hexagon nut	1	1	1	1	1	1	
28	24 1014 14	Washer	2	2	2	2	2	2	
29	24 1017 20	Bush for eye pin	2	2	2	2	2	2	



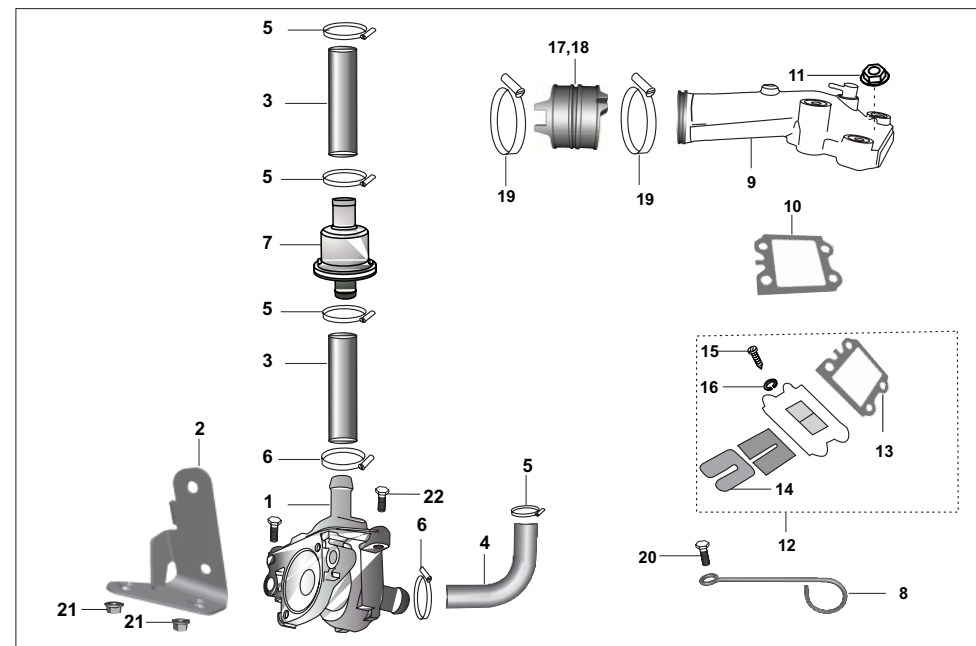
No.	Part No.	Description	Qty/Veh.-ES			NES			Remarks
			24	AG	AS	24	AG	AS	
1	24 1112 01	Magneto assembly ES	1	1	1	-	-	-	Part 1,2
1a	24 1112 18	Assembly magneto KS	--	--	--	1	1	1	
2	24 1112 02	Rotor assy. Complete	1	1	1	-	-	-	
2	24 1112 19	Rotor assy. Complete	--	--	--	1	1	1	
3	24 1112 05	Stator assembly	1	1	1	1	1	1	With Grommet 'H', 'G'
4	AP 1110 13	Pulsar coil	1	1	1	1	1	1	
5	LA C000 25	Bolt socket M5	2	2	2	2	2	2	
6	AP 1012 10	Bolt socket	3	3	3	3	3	3	
7	AP 1010 35	Cover magneto	1	1	1	1	1	1	
8	39 1673 04	Flange bolt -M6	4	4	4	4	4	4	
9	AP 1012 63	Cover separator	1	1	1	1	1	1	
10	LA C000 41	Bolt M6 X 16	3	3	3	3	3	3	
11	39 0782 11	Washer plain M6	3	3	3	3	3	3	
12	AN 1012 02	Fan base	1	1	1	1	1	1	
13	AN 1011 57	Fan	1	1	1	1	1	1	
14	39 2147 04	Bolt - hex	3	3	3	3	3	3	
15	39 0732 12	Washer spring	3	3	3	3	3	3	
16	39 0198 11	Washer plain	3	3	3	3	3	3	
17	24 1017 71	Grommet cover fan facelift	1	1	1	1	1	1	NI
18	AP 1012 64	Cover fan	1	1	1	1	1	1	



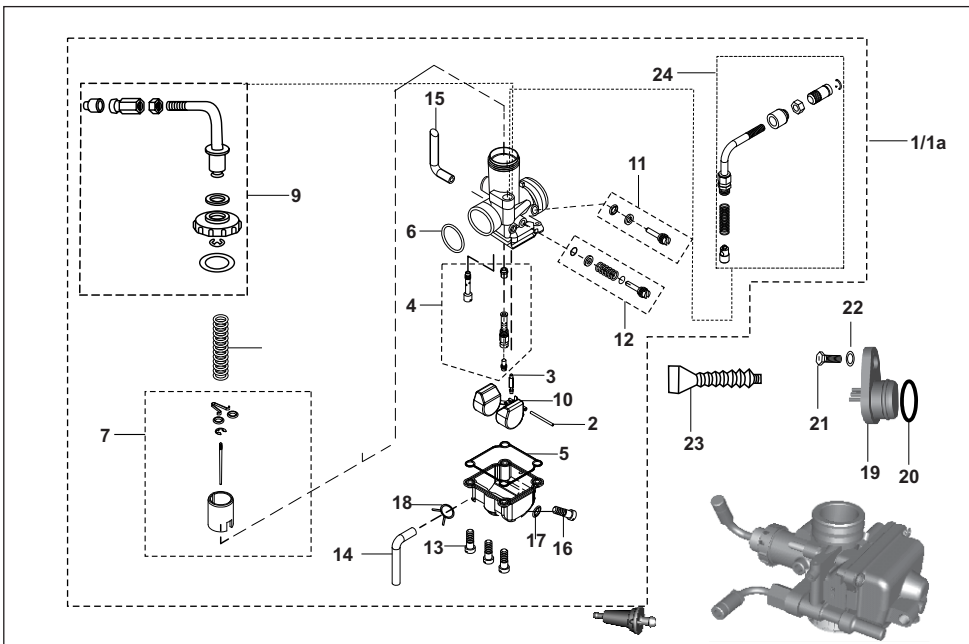
No.	Part No.	Description	Qty/Veh.-ES			NES			Remarks
			24	AG	AS	24	AG	AS	
1	AP 1110 07	Starter motor	1	1	1	-	-	-	For motor mtg.
2	39 1674 04	Flange bolt	2	2	2	-	-	-	
3	AP 1010 32	Bendix drive	1	1	1	-	-	-	
4	AP 1010 71	Assly. cover bendix	1	1	1	-	-	-	
5	AP 1012 82	Cover bendix	1	1	1	-	-	-	
6	AP 1010 43	Bearing needle bendix	1	1	1	-	-	-	
7	39 0999 06	Hollow dowel	1	1	1	-	-	-	
8	39 1075 04	BOLT - FLANGED :- SMALL	3	3	3	-	-	-	
8	LA D000 33	Flange bolt	3	3	3	-	-	-	
9	AP 1012 08	Spacer bendix	1	1	1	-	-	-	
10	AP 1110 25	Drive end bracket	1	1	1	-	-	-	
11	AP 1110 26	Bracket rear end	1	1	1	-	-	-	
12	AP 1110 27	Armature assly	1	1	1	-	-	-	
13	AP 1110 28	Yoke assly	1	1	1	-	-	-	
14	AP 1110 29	Brush assly kit	1	1	1	-	-	-	
15	AP 1110 30	Brush carbon holder assly	1	1	1	-	-	-	
16	AP 1110 31	'O' ring for spigot	1	1	1	-	-	-	
17	AP 1110 32	'O' ring for yoke	1	1	1	-	-	-	
18	AP 1110 33	Tie bolt	2	2	2	-	-	-	
19	AP 1110 54	Kit spring return Ap111007	1	1	1	1	1	1	



No.	Part No.	Description	Qty/Veh.-ES			NES			Remarks
			24	AG	AS	24	AG	AS	
1	AF 1215 05	Filter assembly air	1	--	1	1	--	1	Incl-5,6,7,4,3 AA 1211 82
2	AA 1211 51	Filter assembly air	--	1	--	--	1	--	
3	AA 1211 50	Element air filter	1	1	1	1	1	1	
4	AA 1211 48	Gasket sealing	1	1	1	1	1	1	
5	AA 1211 46	Cover air filter assy.	--	1	--	--	1	--	
5a	AA 1211 93	Cover assembly	1	--	1	1	--	1	
6	AA 1211 49	Clip air filter	3	3	3	3	3	3	
7	AA 1211 47	Valve dust ejector	1	1	1	1	1	1	
8	AA 2311 42	Clamp air filter	1	1	1	1	1	1	
9	BA 1220 62	Pipe - band	1	1	1	1	1	1	
10	31 1210 41	Clamp	1	1	1	1	1	1	
11	JA 5814 07	Clamp (39 Mm)	1	1	1	1	1	1	
12	24 1216 64	Assembly comp. Integral duct	1	--	--	1	--	--	
13	AG 1210 72	Assembly comp. Integral duct	--	1	--	--	1	--	
14	AS 1200 01	Assembly comp. Integral duct	--	--	1	--	--	1	
15	AA 1211 27	Hose assy integral	1	--	--	1	--	--	
15	AS 1210 09	Hose assy integral	--	1	1	--	1	1	
16	AZ 5810 09	Arrester backfire	--	1	1	--	1	1	
17	AZ 5810 41	Insert restricter	--	1	1	--	1	1	
18	AS 1210 10	Insert restricter dia. 15	--	1	1	--	1	1	
19	DH 1211 42	Clamp	--	1	1	--	1	1	
20	As 1200 03	Mixer body	--	1	1	--	1	1	
21	24 1213 56	Mixer tube (nylon)	--	1	1	--	1	1	

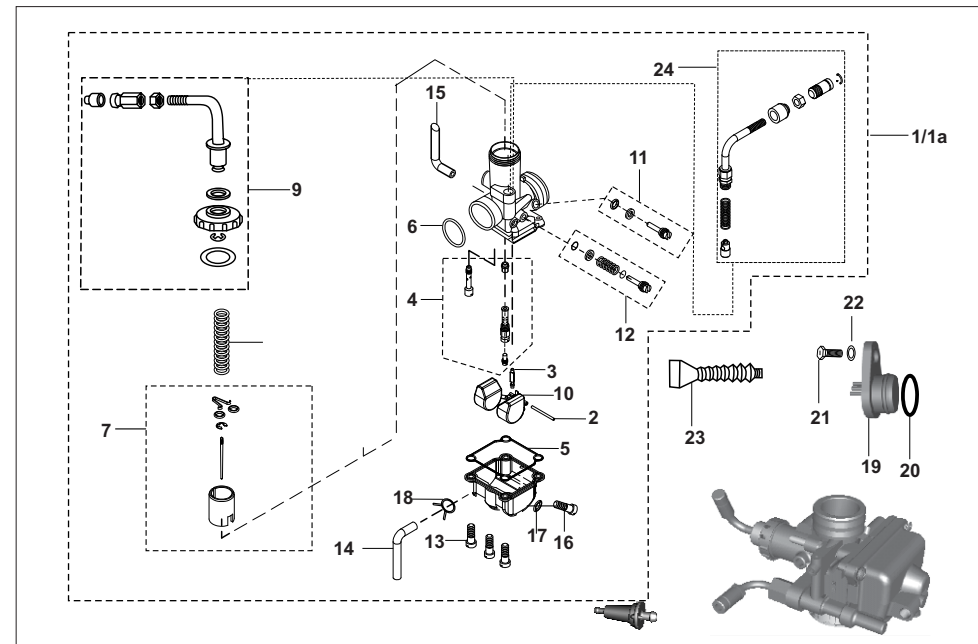


No.	Part No.	Description	Qty/Veh.-ES			NES			Remarks
			24	AG	AS	24	AG	AS	
1	24 1214 58	Assly. SAI	1	--	1	1	--	1	
2	24 1217 03	Assembly Bracket SAI.	1	--	1	1	--	1	
3	24 1217 16	Tube SAI inlet	2	--	2	2	--	2	
4	24 1217 04	Tube SAI outlet	1	--	1	1	--	1	
5	24 1214 77	Hose clamp	4	--	4	4	--	4	
6	24 1214 76	Spring band	4	--	4	4	--	4	
7	24 1214 62	Silencer for SAI	1	--	1	1	--	1	
8	24 1216 46	Hook -SAI hose	1	--	--	1	--	--	
9	24 1017 79	Assembly manifold air intake	1	1	1	1	1	1	
10	AP 1210 04	Gasket for manifold	1	1	1	1	1	1	
11	39 2369 15	Flange nut	4	4	4	4	4	4	
12	AP 1210 01	Reed valve assy comp	1	1	1	1	1	1	
13	AP 1210 03	Gasket reed valve	1	1	1	1	1	1	
14	35 1210 38	Plate - stopper	1	1	1	1	1	1	
15	39 0546 01	Screw	2	2	2	2	2	2	NS
16	39 0260 12	Spring washer	2	2	2	2	2	2	NS
17	24 1217 09	Sleeve carburettor	1	1	--	1	1	--	
18	AS 1210 07	Sleeve carburettor cng	--	--	1	--	--	1	
19	DP 1011 98	Clamp (dia 45)	2	2	2	2	2	2	
20	KA Da06 18	Bolt flange( Sai hook)	1	--	--	1	1	1	
21	39 2479 15	Nut M8	2	2	2	2	2	2	
22	KA Ed06 20	Bolt-flanged-small	2	--	2	2	--	2	N.I



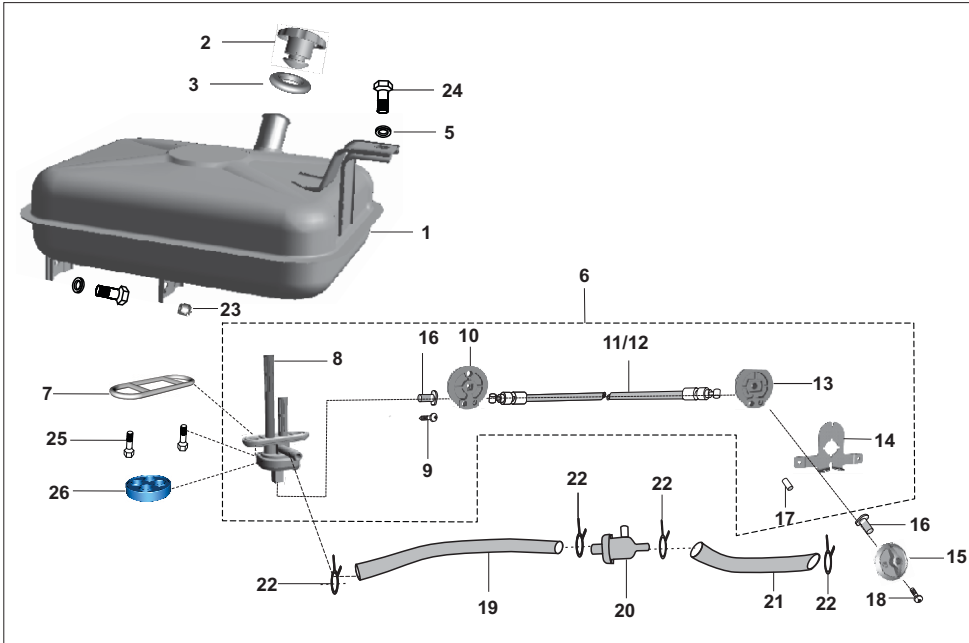
No.	Part No.	Description	Qty/Veh.-ES			NES			Remarks
			24	AG	AS	24	AG	AS	
1	24 1216 76	Carburetor comp.	1	--	--	1	--	--	
1a	AG 1210 77	Carburetor comp.	--	1	1	--	1	1	
1	AS 1210 15	Carburetor comp.	--	1	1	--	1	1	
2	24 1210 69	Pin float	1	1	1	1	1	1	
3	JA 5812 21	Needle valve assly.	1	1	1	1	1	1	
4	36 2440 40	Jet kit carburetors	1	--	--	1	--	--	
4a	36 AF00 23	Jet kit carburetors	--	1	1	--	1	1	
5	JA 5812 32	Seal - m/s. Ucal carburetors	1	1	1	1	1	1	
6	36 2440 49	'O' ring & gasket kit	1	1	1	1	1	1	
7	36 2440 48	Piston valve assly. kit	1	--	--	1	--	--	
7a	36 AF00 24	Piston valve assly. kit	--	1	1	--	1	1	
9	JA 5812 23	Mixing cap assly.	1	1	1	1	1	1	
9	36 2440 62	Mixing cap assly. kit	1	1	1	1	1	1	
10	36 2440 47	Float Body assly	1	1	1	1	1	1	
10	24 1213 65	Float assembly	1	1	1	1	1	1	
11	36 JZ00 16	Idling adjuster kit	1	1	1	1	1	1	
12	36 AF00 28	Pilot screw kit	--	1	1	--	1	1	
12	36 2440 61	Pilot screw kit	1	--	--	1	--	--	
13	CB 1210 46	Screw	4	4	4	4	4	4	
14	24 1215 08	Tube overflow carburetors	1	--	--	1	--	--	
14	Dz 1210 48	Tube overflow carburetors	--	1	1	--	1	1	

24 - PETROL  
AG - LPG  
AS - CNG

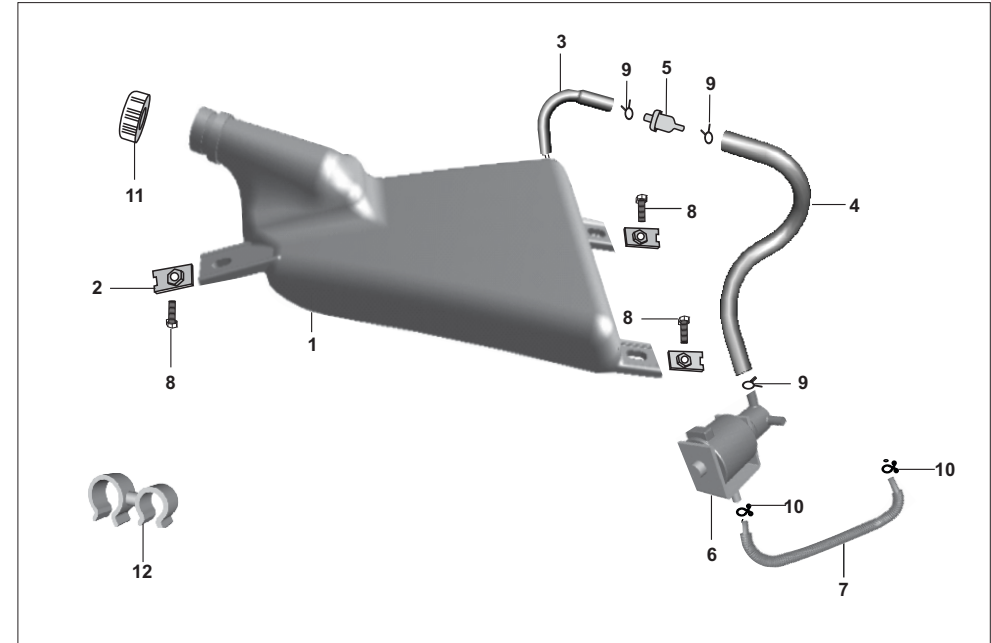


No.	Part No.	Description	Qty/Veh.-ES			NES			Remarks
			24	AG	AS	24	AG	AS	
15	DZ 1210 47	Tube breather carb.	1	1	1	1	1	1	
16	JA 5813 14	Drain screw	1	1	1	1	1	1	
17	DH 1210 87	Washer	1	1	1	1	1	1	
18	AA 1410 46	Spring band clip 7.8 mm	1	1	1	1	1	1	
19	JB 5812 02	Throttle position sensor	1	1	1	1	1	1	
20	JA 5812 38	O ring	1	1	1	1	1	1	
21	JA 5812 33	Screw	1	1	1	1	1	1	
22	JA 5812 37	Washer	1	1	1	1	1	1	
23	AF 1213 28	Accelerator cable bellow	1	1	1	1	1	1	
24	24 1210 53	Plunger assembly	1	1	1	1	1	1	
26	JZ 5812 16	Spring pv vm22 disco-h	1	1	1	1	1	1	N.I
28	36 2440 61	Pilot screw kit	1	--	--	1	--	--	N.I
28	36 Af00 28	Pilot screw kit	--	1	1	--	1	1	N.I
29	JF 5812 09	Clamp connecting side	1	1	1	1	1	1	N.I
30	DH 1210 86	Spring (CO)	1	1	1	1	1	1	N.I
31	DH 1210 88	Ring - O	1	1	1	1	1	1	N.I
32	24 210 87	Spring	1	1	1	1	1	1	N.I
33	AF 1211 33	Filter-( Ag121076)	--	1	1	--	1	1	N.I
34	DZ 1210 41	Tube breather II	--	1	1	--	1	1	N.I

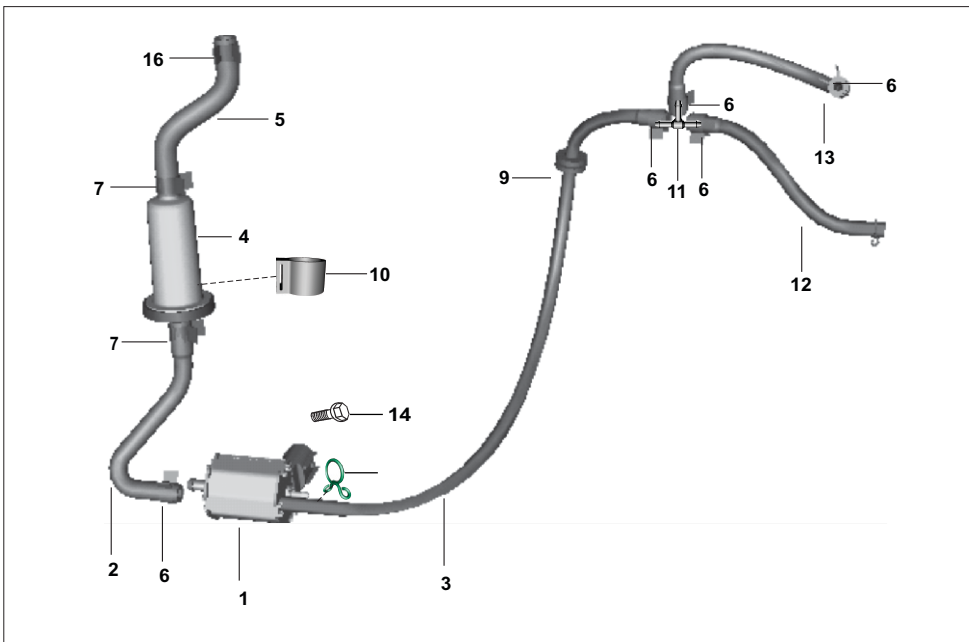
24 - PETROL  
AG - LPG  
AS - CNG



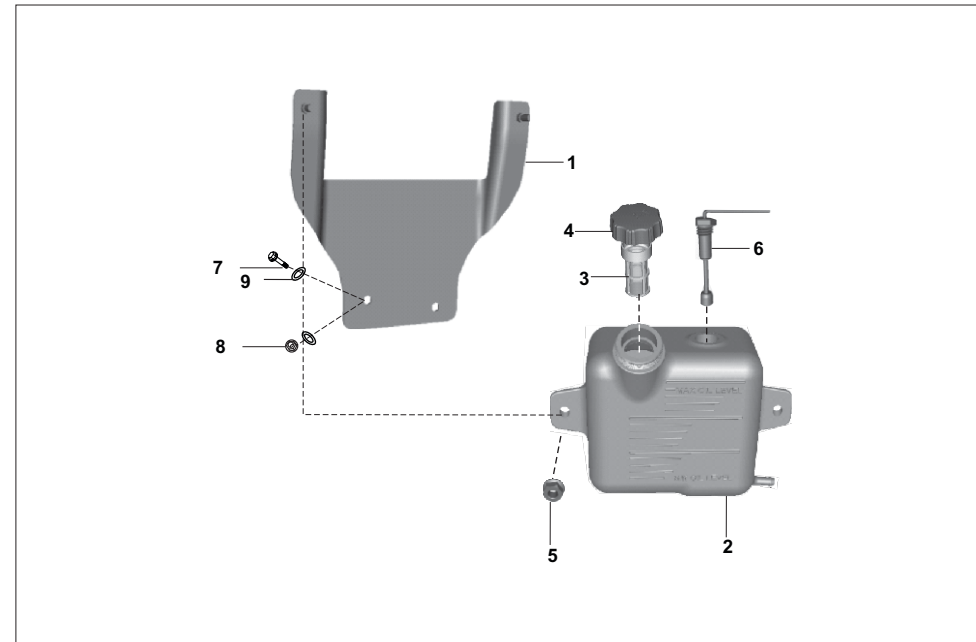
No.	Part No.	Description	Qty/Veh.-ES			NES			Remarks
			24	AG	AS	24	AG	AS	
1	24 1216 82	Fuel tank assly comp. side filling	1	--	--	1	--	--	
2	24 1216 77	Cap fuel tank-petrol	1	--	--	1	--	--	
3	BF 1716 04	Ring O Cap	1	--	--	1	--	--	
4	BH 1610 12	Hexagon socket head bolt-m6	2	--	--	2	--	--	
5	39 0740 11	Washer	2	--	--	2	--	--	
6	24 1411 65	Tap Assembly	1	--	--	1	--	--	fr. 18.05.14
7	24 1216 98	Seal Fuel Tap Fl	1	--	--	1	--	--	
8	24 1216 95	Fuel cock	1	--	--	1	--	--	alt-8A+25
8a	24 1411 84	Fuel cock	1	--	--	1	--	--	fr. 18.05.14
9	KB Aa04 12	Screw-pan	1	--	--	1	--	--	
10	24 1411 32	Pulley tap side	1	--	--	1	--	--	
11	24 1911 36	Cable fuel cock operating-grey	1	--	--	1	--	--	
12	24 1911 37	Cable fuel cock operating -blac	1	--	--	1	--	--	
13	24 1411 33	Pulley Knob side	1	--	--	1	--	--	
14	24 1411 66	Bracket fuel knob mounting	1	--	--	1	--	--	
15	24 1411 64	Knob fuel tap operation	1	--	--	1	--	--	
16	24 1411 34	Insert for knob mounting	2	--	--	2	--	--	
17	24 1411 35	Spacer for knob mounting	1	--	--	1	--	--	
18	KB BA05 16	Screw truss cross M5	1	--	--	1	--	--	
19	AA 1410 85	Fuel tube cock to filter	1	--	--	1	--	--	
20	24 1216 52	Fuel filter	1	--	--	1	--	--	
21	AA 1410 83	Fuel tube filter to carbu.	1	--	--	1	--	--	
22	33 1410 08	Fuel pipe clip	4	--	--	4	--	--	
23	24 1411 83	Plug seat fuel cock bkt	2	--	--	2	--	--	
24	KA Dd08 16	Bolt flanged	3	--	--	3	--	--	
25	DD 1412 27	Bolt Cock mtg	2	--	--	2	--	--	fr.18.05.14
26	24 1411 84	Gasket 4 hole(fuel cock)	1	--	--	1	--	--	



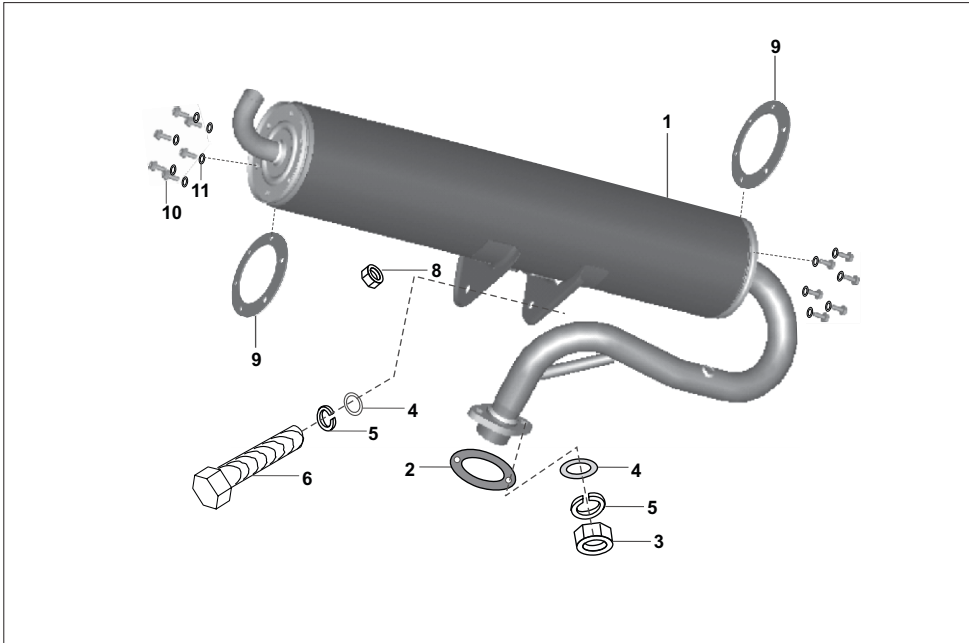
No.	Part No.	Description	Qty/Veh.-ES			NES			Remarks
			24	AG	AS	24	AG	AS	
1	AF 1410 74	Assembly tank fuel limp home	--	1	1	--	1	1	
1	AF 1410 75	Tank fuel lime home 3 ltr	--	1	1	--	1	1	
2	24 1612 97	Clip nut	--	3	3	--	3	3	
3	AM 1410 04	Fuel tube tank to filter	--	1	1	--	1	1	
4	AF 1410 72	Fuel tube filter to solenoid	--	1	1	--	1	1	
5	24 1216 52	Fuel filter	--	1	1	--	1	1	
6	RA 4026 01	Petrol solenoid cng	--	--	1	--	--	1	
6a	24 1216 56	Petrol solenoid lpg	--	1	--	--	1	--	
7	AS 1400 03	Fuel pipe solenoid to carb.	--	1	1	--	1	1	
8	KA Da08 22	Bolt flanged	--	3	3	--	3	3	
9	33 1410 07	Clamp	--	3	3	--	3	3	
10	33 1410 08	Clamp	--	3	3	--	3	3	
11	24 1411 94	Cap fuel tank- 3 ltr tank	--	1	1	--	1	1	
12	AA 1410 67	Clip swivel spacer	--	1	1	--	1	1	
13	CS 1410 05	Washer cap fuel tank	--	1	1	--	1	1	



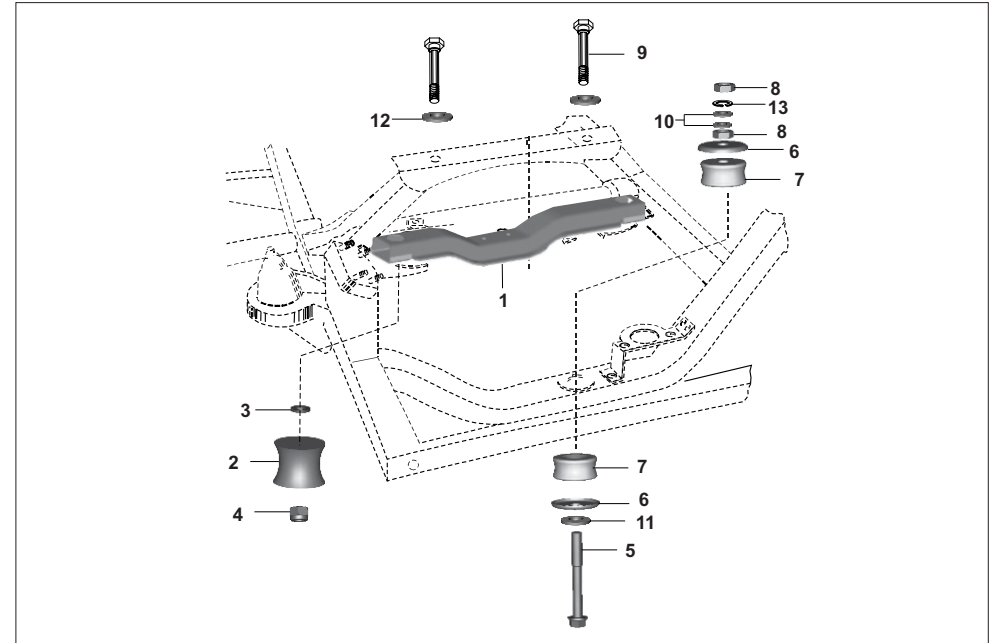
No.	Part No.	Description	Qty/Veh.-ES			NES			Remarks
			24	AG	AS	24	AG	AS	
1	AP 1211 28	Pump oil electrical	1	1	1	1	1	1	
2	AP 1210 20	Hose oil in	1	1	1	1	1	1	
3	24 1216 74	Hose oil out	1	1	1	1	1	1	
4	AP 1210 67	Oil filter	1	1	1	1	1	1	
5	AP 1210 68	Hose oil filter	1	1	1	1	1	1	
6	AA 1410 46	Clip -spring band:	5	5	5	5	5	5	
7	AA 1410 48	Clip -spring band:dia.	2	2	2	2	2	2	
8	AP 1011 50	Clip wire	1	1	1	1	1	1	NI
9	AP 1211 06	Grommet oil pipe	1	1	1	1	1	1	
10	GF 1410 20	Holder - filter fuel	1	1	1	1	1	1	
11	BA 1410 33	Joint T	1	1	1	1	1	1	
12	24 1216 69	Tube oil cyl. Block	1	1	1	1	1	1	
13	24 1216 70	Tube oil manifold	1	1	1	1	1	1	
14	39 1062 04	Bolt - flanged :- small	1	1	1	1	1	1	
15	JG 1710 29	Spring band clip 10 mm	1	1	1	1	1	1	NI
16	24 1217 22	Clip spring band	-	1	1	-	1	1	



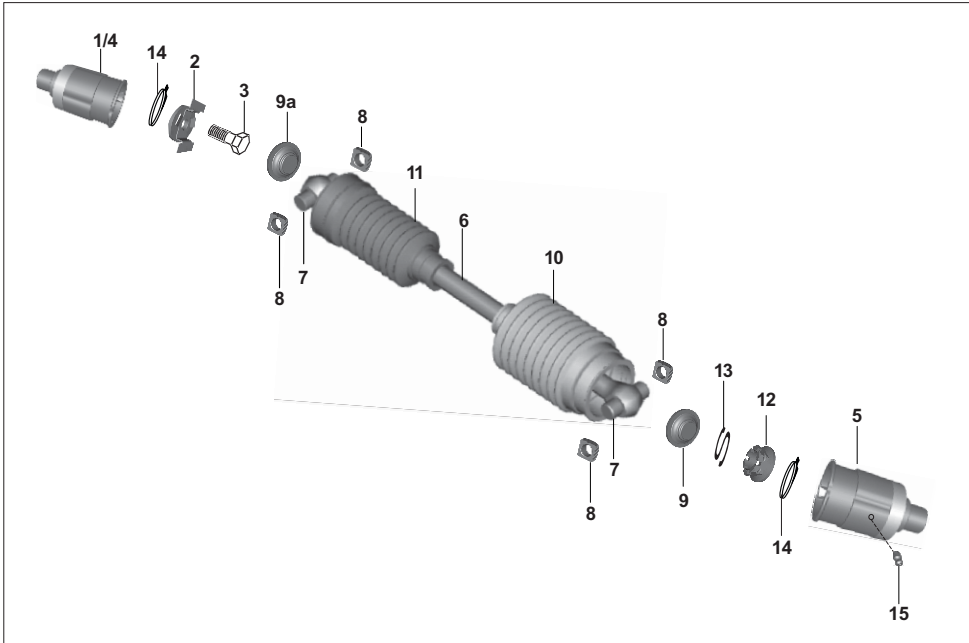
No.	Part No.	Description	Qty/Veh.-ES			NES			Remarks
			24	AG	AS	24	AG	AS	
1	24 1652 70	Bkt. oil tank mounting	1	1	1	1	1	1	
2	AP 1410 12	Tank oil	1	1	1	1	1	1	
3	AP 1210 43	Strainer oil	1	1	1	1	1	1	
4	AP 1410 08	Cap tank oil	1	1	1	1	1	1	
5	39 0798 15	Nut hexagon with flange m6	2	1	1	2	1	1	
6	AP 2010 06	Switch oil sensor	1	1	1	1	1	1	
7	39 2383 15	Hex head bolt flange M8	3	3	3	3	3	3	
8	39 0211 11	Washer plain	2	1	1	2	1	1	



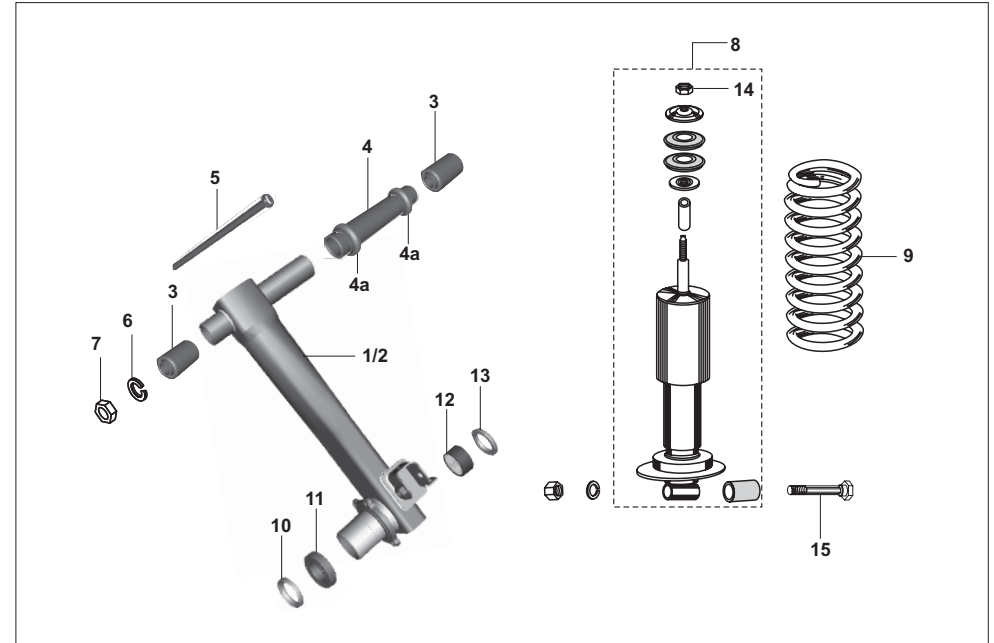
No.	Part No.	Description	Qty/Veh.-ES			NES			Remarks
			24	AG	AS	24	AG	AS	
1	24 1018 75	Assembly silencer with sai	1	--	1	1	--	1	
1a	24 1017 78	Silencer comp.	--	1	--	--	1	--	
1a	24 1019 35	Assembly silencer basf cat-sai	1	--	--	1	--	--	
2	AP 1011 94	Gasket silencer	1	1	1	1	1	1	
3	39 0289 15	Hex nut	2	2	2	2	2	2	
4	39 0200 11	Plain washer	2	2	2	2	2	2	
5	39 0265 12	Spring washer	2	2	2	2	2	2	
6	39 2157 04	Hex bolt/flange-m8	1	1	1	1	1	1	
7	24 2314 22	Plain washer	1	1	1	1	1	1	
8	39 0289 15	Hex nut	1	1	1	1	1	1	
9	AP 1010 52	Gasket for silencer	2	2	2	2	2	2	
10	KA DA06 16	Bolt-flange-kad	12	12	12	12	12	12	
11	39 1665 11	Washer - seal	12	12	12	12	12	12	



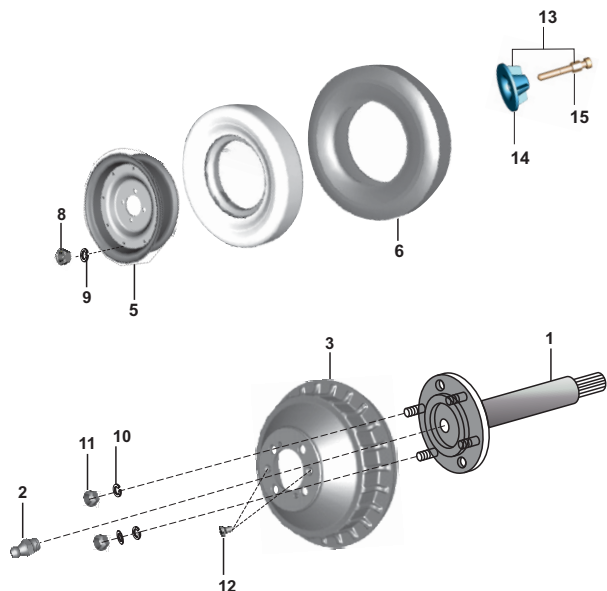
No.	Part No.	Description	Qty/Veh.-ES			NES			Remarks
			24	AG	AS	24	AG	AS	
1	24 1652 84	Cross member assly comp.	1	--	--	1	--	--	
1a	AS 1600 28	Cross member assly comp.	--	1	1	--	1	1	
2	24 1609 13	Engine foundation block	2	2	2	2	2	2	
3	39 1829 12	Spring washer	2	2	2	2	2	2	
4	59 1500 12	Nut nyloc	2	2	2	--	--	--	
5	24 1610 03	Bolt flanged-m10	1	1	1	1	1	1	
6	21 1604 17	Reinforcement plate	2	2	2	2	2	2	
7	24 1609 24	Rubber plug	2	2	2	2	2	2	
8	39 0302 15	Hexagon nut-m10x1.5	2	2	2	2	2	2	
9	39 0462 04	Bolt hexagon m8 x 1.25	2	2	2	--	--	--	
10	39 0248 11	Washer - plain	2	2	2	2	2	2	
11	39 0251 11	Washer - plain	1	1	1	1	1	1	
12	KD BC08 18	Washer - plain	2	2	2	2	2	2	
13	39 0267 12	Spring washer	1	1	1	1	1	1	



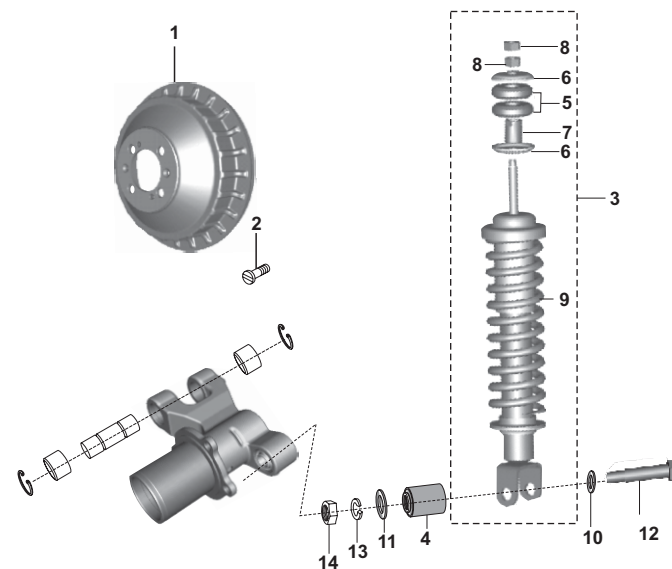
No.	Part No.	Description	Qty/Veh.-ES			NES			Remarks
			24	AG	AS	24	AG	AS	
1	AA 1017 21	Flange S.g. Hsg. Side	1	1	1	1	1	1	
2	24 1710 14	Lock washer assembly	2	2	2	2	2	2	
3	39 0119 04	Bolt hex with flange	2	2	2	2	2	2	
4	AA 1017 22	Flange diff. Gear side	1	1	1	1	1	1	
5	AY 1412 02	Flange assly (wheel side)	2	2	2	2	2	2	Incl-15
6	24 1018 29	Propeller shaft assembly	2	2	2	2	2	2	Incl- 7
7	24 1704 25	Pin for propeller shaft	4	4	4	4	4	4	
8	24 1710 68	Slider block	8	8	8	8	8	8	
9	BG 1412 52	Rubber buffer A	2	2	2	2	2	2	
9a	BG 1412 53	Rubber buffer-b	2	2	2	2	2	2	
10	24 1310 74	Rubber bellow	2	2	2	2	2	2	
11	BG 1412 54	Bellow	2	2	2	2	2	2	
12	39 1182 15	Nut	2	2	2	2	2	2	
13	24 1710 66	Spring clip	2	2	2	2	2	2	
14	BB 1310 24	Clamp-2	2	2	2	2	2	2	
15	24 1310 98	Nipple -grease	2	2	2	2	2	2	
16	24 1018 30	Assembly shaft propeller comp.	2	2	2	2	2	2	
17	36 2440 52	Kit slider block	1	1	1	1	1	1	NI
18	AA 1017 52	Assembly flange wheel side	2	2	2	2	2	2	



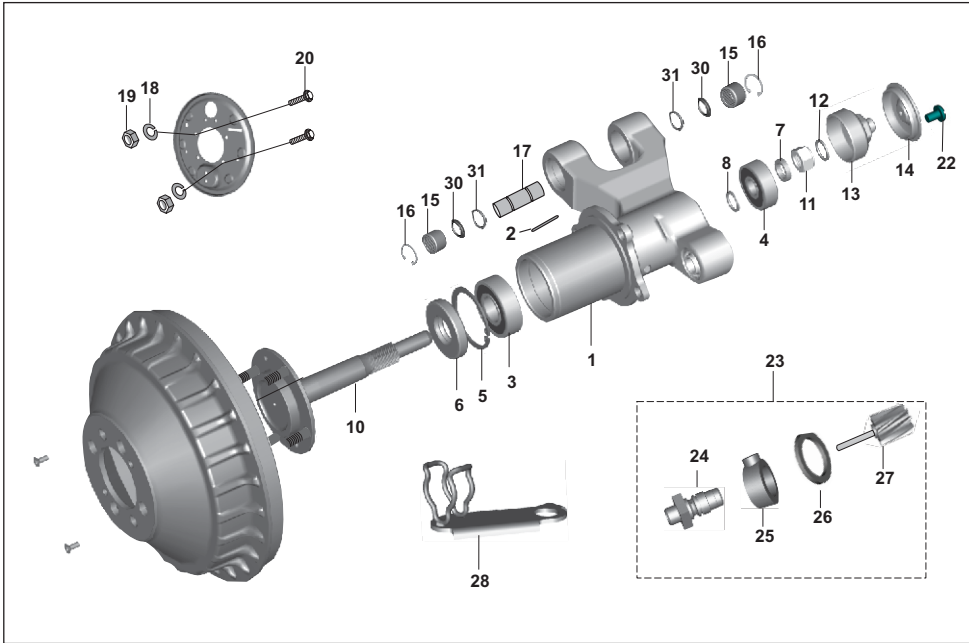
No.	Part No.	Description	Qty/Veh.-ES			NES			Remarks
			24	AG	AS	24	AG	AS	
1	24 1711 79	Trailing arm Assly LH	1	1	1	1	1	1	
2	24 1711 80	Trailing arm assembly RH	1	1	1	1	1	1	
3	AA 1710 06	Bush-silent for trailing arm	2	2	2	2	2	2	
4	AA 1710 22	Distance piece assly	2	2	2	2	2	2	
4a	AA 1710 24	Spacer ring-dist.piece	4	4	4	2	2	2	
5	AA 1710 11	Pivot pin Trailing arm	2	2	2	2	2	2	
6	39 0269 12	Spring washer	2	2	2	2	2	2	
7	KC AD14 11	Nut hex thick	2	2	2	2	2	2	
8	24 1710 94	Rear shock absorber assly	2	2	2	2	2	2	
9	24 1705 08	Rear suspension spring	2	2	2	2	2	2	
10	24 1710 24	Seal 41x60x7	2	2	2	2	2	2	
11	01 1003 42	Bearing 30X55X13-Rear Hub	2	2	2	2	2	2	
12	59 2000 12	Bearing - needle (SL 35 20 )	2	2	2	2	2	2	
13	22 1710 07	Seal - oil	2	2	2	2	2	2	
14	39 2607 15	Nut - nyloc-m12 x 1.5	2	2	2	2	2	2	
15	24 1705 07	Bolt for shock absorber	2	2	2	2	2	2	



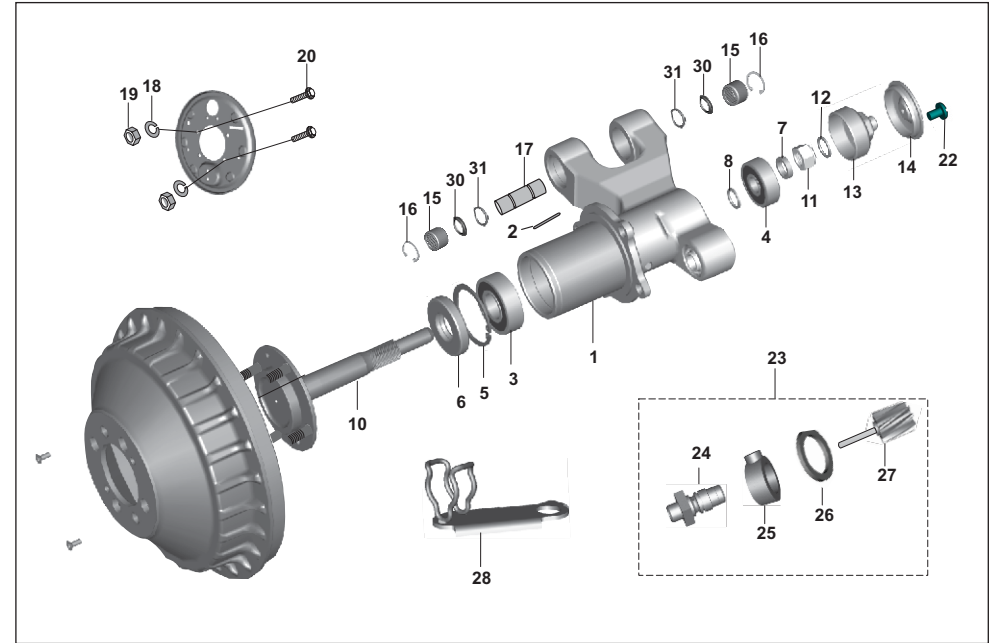
No.	Part No.	Description	Qty/Veh.-ES			NES			Remarks
			24	AG	AS	24	AG	AS	
1	24 1711 18	Assembly drive flange	2	2	2	2	2	2	52240764
2	24 1710 75	Nipple greas	2	2	2	2	2	2	
3	22 1511 06	Brake drum rear	2	2	2	2	2	2	
5	24 1511 10	Wheel rim assy.	4	4	4	4	4	4	
6	22 1510 68	Tyre with tube	3	3	3	3	3	3	
7	21 1503 07	Tyre - 4.00 X 8	3	3	3	3	3	3	
8	39 0956 15	Nut - hexagon :- m8 x 1.25	8	8	8	8	8	8	
9	39 1828 12	Washer spring	8	8	8	8	8	8	
10	KD Db10 18	Washer spring	4	4	4	4	4	4	
11	LC A000 10	Nut hex.	4	4	4	4	4	4	
12	22 1704 34	Bolt for exle	4	4	4	4	4	4	
13	BH 1314 07	Assembly cap spare wheel fl	1	1	1	1	1	1	
14	BH 1314 04	Knob spare wheel fl	1	1	1	1	1	1	
15	BH 1314 03	Bolt spare wheel mounting fl	1	1	1	1	1	1	



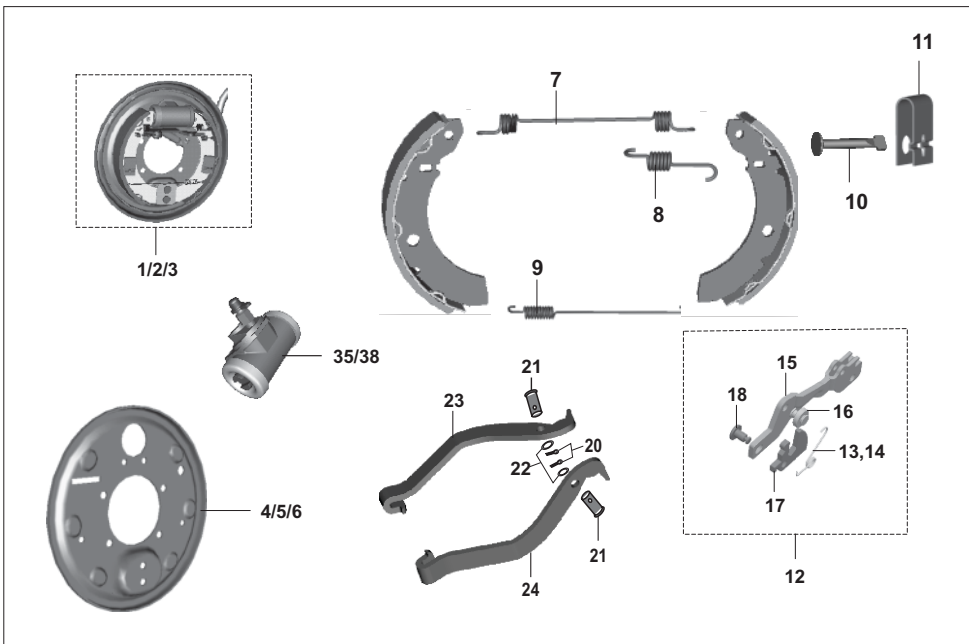
No.	Part No.	Description	Qty/Veh.-ES			NES			Remarks
			24	AG	AS	24	AG	AS	
1	22 1511 06	Brake drum	1	1	1	1	1	1	
2	KB CA04 10	Slot csk hd screw	2	2	2	2	2	2	
3	AB 1710 44	Front shock absorber	1	1	1	1	1	1	
4	AB 1710 16	Bush	1	1	1	1	1	1	
5	AB 1710 13	Top rubber bush	2	2	2	2	2	2	
6	AB 1710 14	Locating cup rubber bush	2	2	2	2	2	2	
7	AB 1710 15	Spacer nut spring cup	1	1	1	1	1	1	
8	39 0295 15	Hexagon nut	1	1	1	1	1	1	
9	AB 1710 17	Spring - front suspension	1	1	1	1	1	1	
10	39 0543 11	Plain washer	1	1	1	1	1	1	
11	39 1054 11	Plain washer	1	1	1	1	1	1	
12	AB 1710 31	Shoulder bolt	1	1	1	1	1	1	
13	39 0789 12	Washer spring	1	1	1	1	1	1	
14	39 0296 15	Hexagon nut	1	1	1	1	1	1	



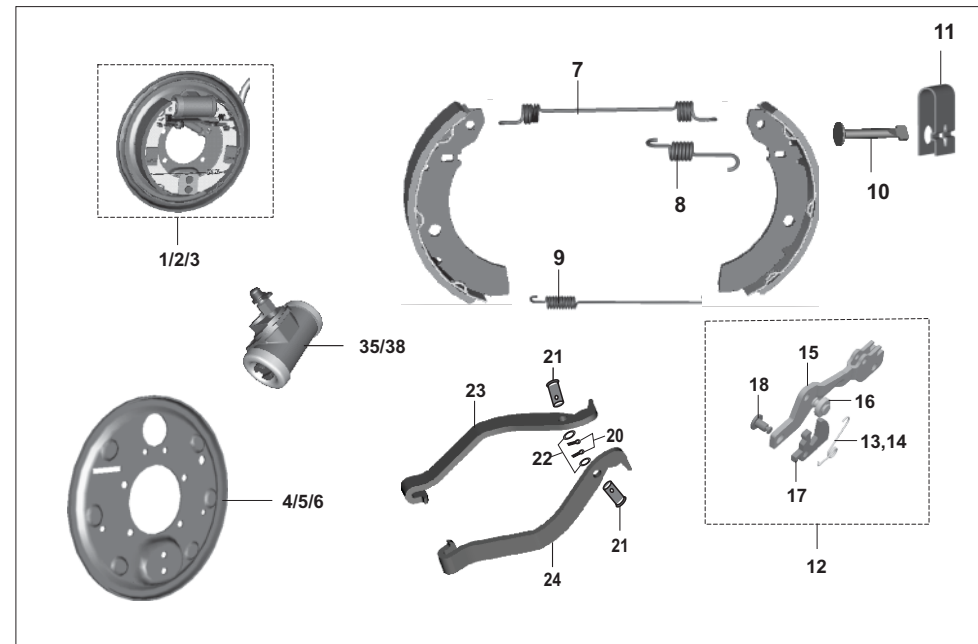
No.	Part No.	Description	Qty/Veh.-ES			NES			Remarks
			24	AG	AS	24	AG	AS	
1	24 1711 36	Front wheel hub assly	1	1	1	1	1	1	
1	AA 1510 47	Hub front wheel	1	1	1	1	1	1	
2	03 1701 09	Pin	1	1	1	1	1	1	
3	39 2550 20	Ball bearing	1	1	1	1	1	1	
4	39 2362 20	Bearing	1	1	1	1	1	1	
5	KE BB47 17	Intrnal circlip	1	1	1	1	1	1	
6	22 1701 15	Oil seal	1	1	1	1	1	1	
7	AA 1510 49	Spacer	1	1	1	1	1	1	
8	22 1701 17	Spacer	1	1	1	1	1	1	
10	AB 1710 34	FR wheel axle assly	1	1	1	1	1	1	
11	JB 1310 19	Nut	1	1	1	1	1	1	
12	22 1701 18	Spacer	1	1	1	1	1	1	
13	AB 1710 22	Grease cup nut	1	1	1	1	1	1	
14	AB 1710 23	Cap-FR wheel hub	1	1	1	1	1	1	
15	AB 1710 20	Needle bush	2	2	2	2	2	2	
16	39 2357 17	Internal circlip	2	2	2	2	2	2	
17	24 1711 29	Pivot pin fr wh hub	1	1	1	1	1	1	
18	39 0789 12	Washer - spring	4	4	4	4	4	4	
19	39 0694 15	Hex nut	4	4	4	4	4	4	



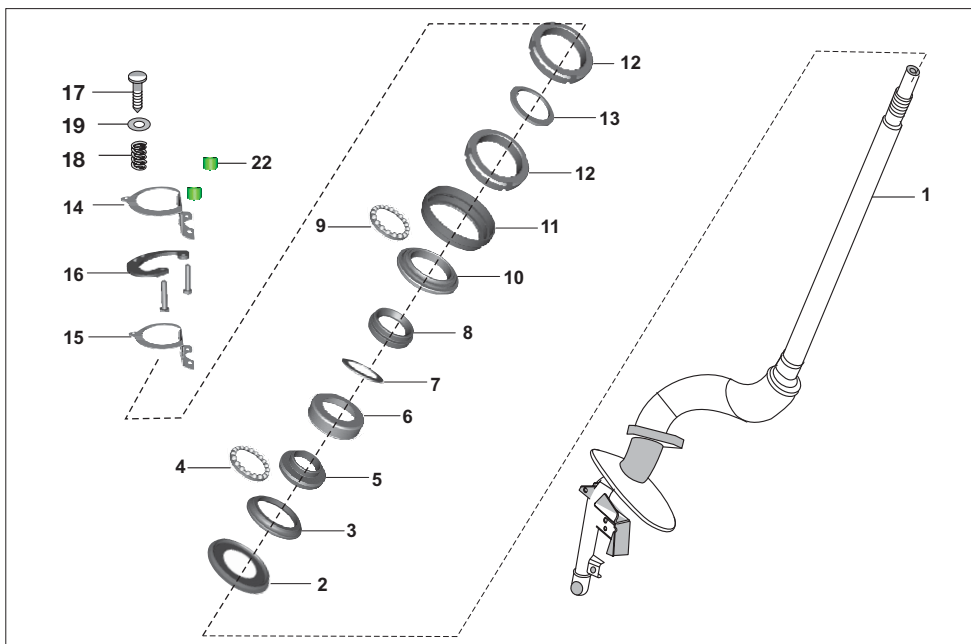
No.	Part No.	Description	Qty/Veh.-ES			NES			Remarks
			24	AG	AS	24	AG	AS	
20	24 1711 17	Bolt hexagon with flange	1	1	1	1	1	1	
22	KB BA04 06	Screw - pan slotted	1	1	1	1	1	1	From-14.06.2014
23	05 1903 01	Drive Complete -speedometer	1	1	1	1	1	1	
24	05 1910 05	Support	1	1	1	1	1	1	
25	06 1910 61	Lubricator assembly	1	1	1	1	1	1	
26	39 0235 11	Washer - Plain	1	1	1	1	1	1	
27	05 1903 02	Gear Assembly - nylon	1	1	1	1	1	1	With shaft drive
28	24 1512 47	assembly bracket guide hose	1	1	1	1	1	1	
29	CI 1810 24	Nipple grease	1	1	1	1	1	1	
30	24 1711 38	Spacer	2	2	2	2	2	2	
31	30 1011 85	Ring O	2	2	2	2	2	2	



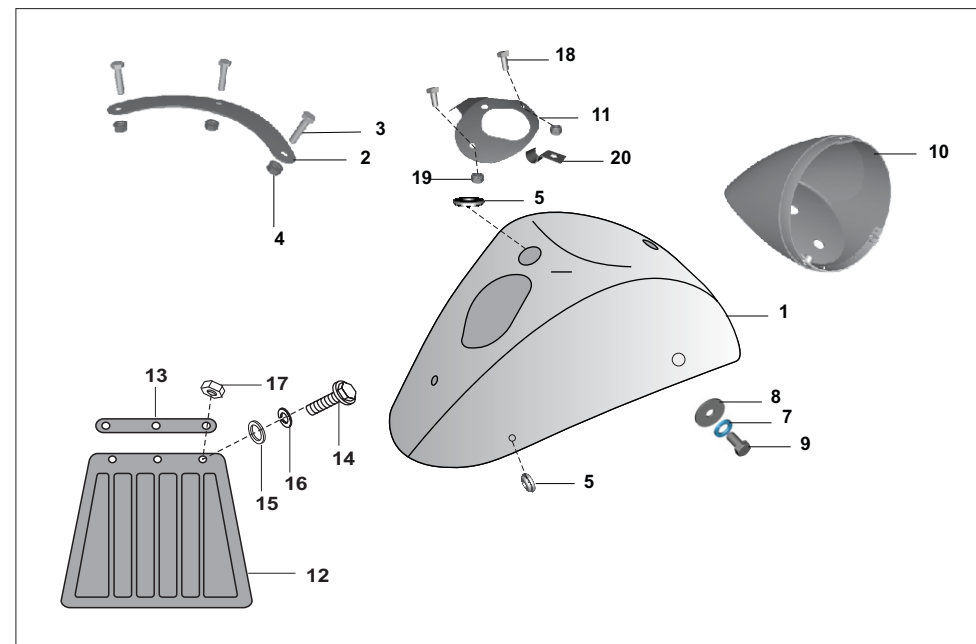
No.	Part No.	Description	Qty/Veh.-ES			NES			Remarks
			24	AG	AS	24	AG	AS	
1	24 1512 43	Panel assembly FR brake	1	1	1	1	1	1	
2	BH 1312 13	Panel assly RH	1	1	1	1	1	1	
3	BH 1312 12	Panel assly LH	1	1	1	1	1	1	
4	AP 1510 17	Back panel assly FR	1	1	1	1	1	1	
5	24 1511 74	Back plate assly. LH	1	1	1	1	1	1	
6	24 1511 78	Back panel assly RH	1	1	1	1	1	1	
7	24 1511 33	Main spring	3	3	3	3	3	3	NS
8	24 1511 34	Spring strut holding LH	1	1	1	1	1	1	NS
8a	24 1511 53	Spring strut holding RH	1	1	1	1	1	1	NS
9	24 1511 35	Spring shoe holding	1	1	1	1	1	1	NS
10	24 1511 37	Pin pivot shoe	2	2	2	2	2	2	NS
11	24 1511 38	Spring shoe clamping	2	2	2	2	2	2	NS
12	24 1511 68	Auto adjuster assly FR	1	1	1	1	1	1	
12a	24 1511 79	Auto adjuster assly RH	1	1	1	1	1	1	
12b	24 1511 75	Auto adjuster assly LH	1	1	1	1	1	1	
13	24 1511 32	Spring strut LH	1	1	1	1	1	1	NS
14	24 1511 52	Spring strut RH	1	1	1	1	1	1	NS
15	24 1511 29	Strut plate FR.	1	1	1	1	1	1	NS
15a	24 1511 44	Strut plate LH	1	1	1	1	1	1	NS
15b	24 1511 51	Strut plate RH	1	1	1	1	1	1	NS
16	24 1511 31	Pinion	3	3	3	3	3	3	
17	24 1511 30	Plate ratchet	1	1	1	1	1	1	NS
18	24 1511 39	Pin ratchet	1	1	1	1	1	1	NS
19	24 1512 68	brake shoe kit (ask lining)	3	3	3	3	3	3	2nos+10,11
20	24 1511 47	Pin split - hbl	2	2	2	2	2	2	NS



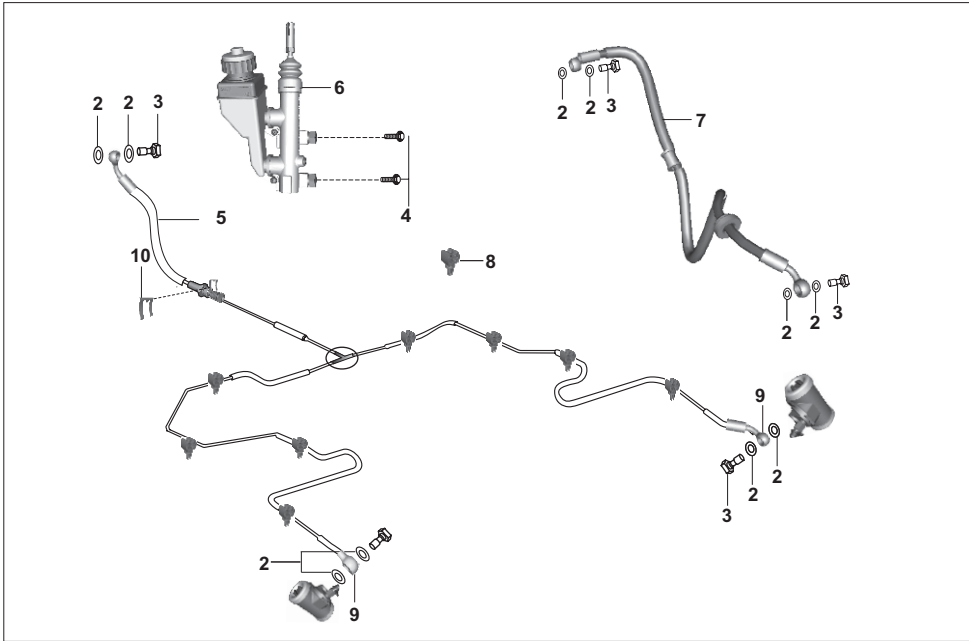
No.	Part No.	Description	Qty/Veh.-ES			NES			Remarks
			24	AG	AS	24	AG	AS	
21	24 1511 46	Pin pivot-park lever	1	1	1	1	1	1	NS
22	24 1511 48	Washer- plain park lever	1	1	1	1	1	1	
23	BH 1318 13	Lever parking brake LH	1	1	1	1	1	1	
24	BH 1318 14	Lever parking brake RH	1	1	1	1	1	1	
25	24 1511 69	Strut assly front complete	1	1	1	1	1	1	Inc-13,15,16,17,18
26	24 1511 76	Strut asslt LH complete	1	1	1	1	1	1	Inc-13,15a,16,17,18
27	24 1511 80	Strut asslt RH complete	1	1	1	1	1	1	Inc-14,15b,16,17,18,9
28	24 1511 72	Shoe clamp spring kit	3	3	3	3	3	3	Inc-10,11
29	24 1511 82	Spring kit RH	3	3	3	3	3	3	Inc-9,7,8a
29a	24 1511 73	Spring kit FR/LH	3	3	3	3	3	3	Inc-9,7,8
30	24 1511 70	Ratchet kit for fr & LH	2	2	2	2	2	2	Inc-13,17,18
31	24 1511 81	Ratchet kit RH	1	1	1	1	1	1	Inc-14,17,18
32	24 1511 77	Lever parking brake LH	1	1	1	1	1	1	Inc-20,21,22,23
33	24 1511 83	Lever parking brake RH	1	1	1	1	1	1	Inc-20,21,22,24
34	AL 1510 54	Bolt	2	2	2	2	2	2	
35	24 1511 63	Wheel cylinder FR	1	1	1	1	1	1	
36	24 1511 07	Major kit fr	1	1	1	1	1	1	
37	24 1511 08	Minor kit fr	1	1	1	1	1	1	
38	24 1511 64	Wheel cylinder RR	1	1	1	1	1	1	
39	24 1511 13	Major kit rr	1	1	1	1	1	1	
40	24 1511 14	Minor kit rr	1	1	1	1	1	1	
41	AB 1510 79	Screw - bleeder	1	1	1	1	1	1	
42	AL 1510 52	Cap - bleeder 64	1	1	1	1	1	1	
43	24 1511 71	Brake shoe kit with spring	1	1	1	1	1	1	Inc-19,28
44	36 BA40 15	Wheel cylinder mtg kit	1	1	1	1	1	1	(screw 2,brk 1)



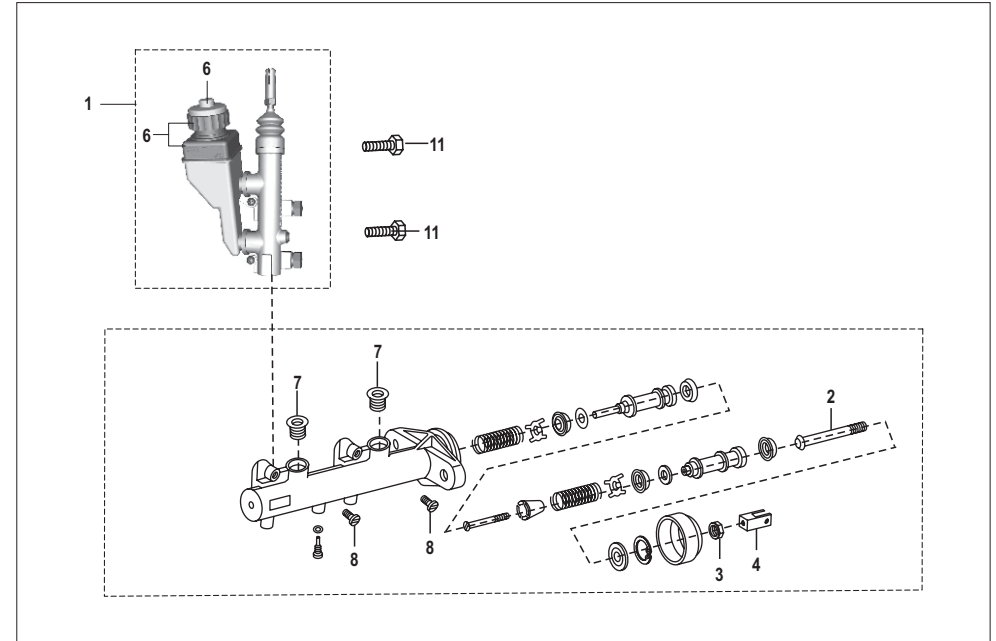
No.	Part No.	Description	Qty/Veh.-ES			NES			Remarks
			24	AG	AS	24	AG	AS	
1	24 1811 60	Steering column assembly	1	1	1	1	1	1	ALT-24181147
2	AA 1810 23	Dust cover bottom	1	1	1	1	1	1	
3	AA 1810 22	Bearing race -low inner	1	1	1	1	1	1	
4	AB 1810 12	Steel ball with cage lower	1	1	1	1	1	1	
5	AB 1810 33	Bearing race lower outer	1	1	1	1	1	1	
6	BH 1510 08	Dust cover top bearing	1	1	1	1	1	1	
7	BH 1510 09	Spacer fork front	1	1	1	1	1	1	
8	AB 1810 19	Bearing race upper outer	1	1	1	1	1	1	
9	AB 1810 17	Steel ball with cage upper	1	1	1	1	1	1	
10	24 1810 46	Bearing race-upper inner	1	1	1	1	1	1	
11	24 1614 43	Dust cover	1	1	1	1	1	1	
12	24 1810 47	Lock nut	2	2	2	2	2	2	
13	AB 1810 20	Spacer washer bearing	1	1	1	1	1	1	
14	AB 1810 23	Plate upper	1	1	1	1	1	1	
15	AB 1810 22	Plate assly lower	1	1	1	1	1	1	
16	22 1810 58	Steering lock plate assly	1	1	1	1	1	1	
16	22 1802 19	Plate steering lock	1	1	1	1	1	1	
17	21 1803 07	Knob	1	1	1	1	1	1	
18	21 1803 08	Spring	1	1	1	1	1	1	
19	39 0198 11	Washer plain	1	1	1	1	1	1	
20	36 AB40 10	Kit bearing race	1	1	1	1	1	1	
21	36 BA40 41	Steering Cone Kit with grease	1	1	1	1	1	1	
22	24 1811 61	Spacer dampening plate	2	2	2	2	2	2	



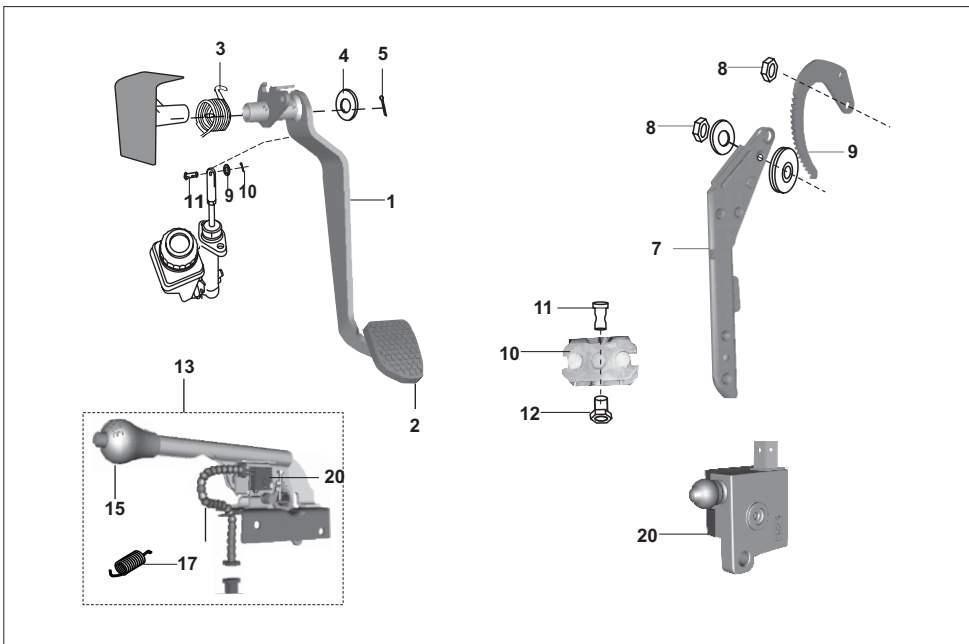
No.	Part No.	Description	Qty/Veh.-ES			NES			Remarks
			24	AG	AS	24	AG	AS	
1	AB 1611 88	Front mudguard assly	1	1	1	1	1	1	Alt ED-52AB0098
2	AB 1611 82	Plate check fr mud	1	1	1	1	1	1	
3	39 1069 01	Bolt hex	3	3	3	3	3	3	
4	39 0817 15	Hex nut	3	3	3	3	3	3	
5	39 2642 23	Grommet blind	1	1	1	1	1	1	
6	39 2375 23	Grommet for mudguard	1	1	1	1	1	1	
7	39 1829 12	Spring washer	1	1	1	1	1	1	
8	39 2424 11	Plain washer	1	1	1	1	1	1	
9	LA A000 14	Bolt-m8	1	1	1	1	1	1	
10	AB 2010 65	Housing head light	1	1	1	1	1	1	
11	AB 1611 83	Check plate housing	1	1	1	1	1	1	
12	24 2301 85	Mudguard flap	1	1	1	1	1	1	
13	24 1611 76	Strip	2	2	2	2	2	2	
14	39 0071 04	Screw	3	3	3	3	3	3	
15	39 1830 12	Washer spring	3	3	3	3	3	3	
16	39 0198 11	Washer plain	3	3	3	3	3	3	
17	39 0291 15	Nut flange	3	3	3	3	3	3	
18	39 0062 04	Screw - m6-check plate	2	2	2	2	2	2	
19	39 1353 15	Nut - nyloc :- m6 x 1	2	2	2	2	2	2	
20	AB 1611 59	Clip	1	1	1	1	1	1	



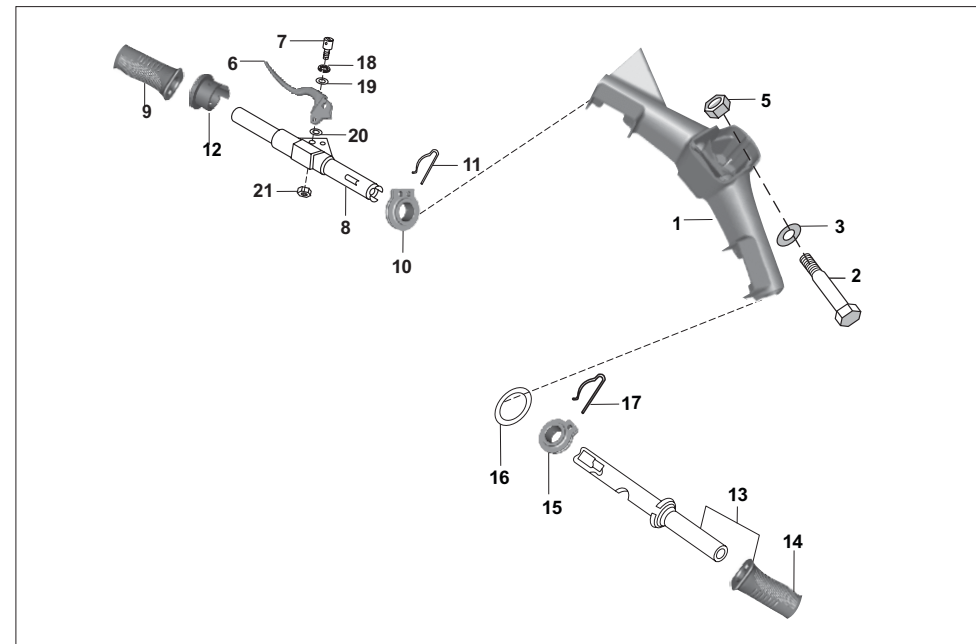
No.	Part No.	Description	Qty/Veh.-ES			NES			Remarks
			24	AG	AS	24	AG	AS	
1	24 1512 21	Assembly brake oil circuit	1	1	1	1	1	1	NS
2	21 1504 22	Packing - copper washer	8	8	8	8	8	8	
3	AB 1510 49	Bolt - M10 x 1 :- banjo, brake	3	3	3	3	3	3	
4	KA DD10 30	Bolt-flange-tmc mounting	2	2	2	2	2	2	
5	24 1512 34	Hose rear circuit-1	1	1	1	1	1	1	
6	24 1512 58	Cylinder complete tandem mstr	1	1	1	1	1	1	
7	AA 1510 39	Hose brake front	1	1	1	1	1	1	
8	BG 1138 04	Clamp brake pipe	6	6	6	6	6	6	
9	AB 1510 53	Banjo union	2	2	2	2	2	2	
10	EC 1318 35	Clip hose	1	1	1	1	1	1	



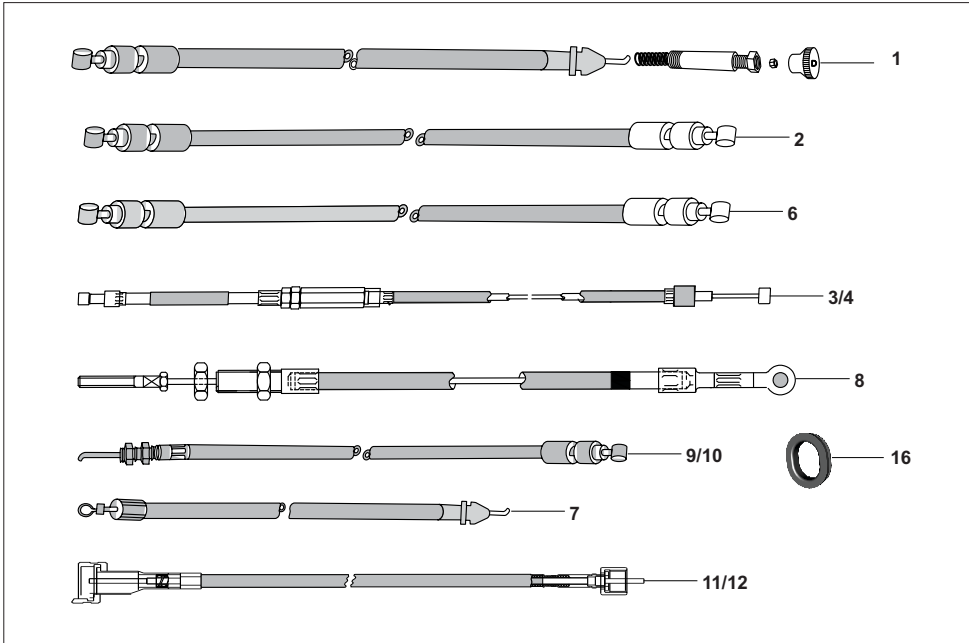
No.	Part No.	Description	Qty/Veh.-ES			NES			Remarks
			24	AG	AS	24	AG	AS	
1	24 1512 58	Cylinder comp.tandem master	1	1	1	1	1	1	N.I. N.I.
1	24 1512 75	Cylinder comp.tandem master	1	1	1	1	1	1	
2	24 1510 87	Push rod complete	1	1	1	1	1	1	
3	24 1510 94	Hex. nut	1	1	1	1	1	1	
4	24 1510 90	Fork rod push	1	1	1	1	1	1	
5	AB 1510 54	Oil container with cap	1	1	1	1	1	1	
6	AB 1510 72	Cap - oil reservoir	1	1	1	1	1	1	
7	24 1510 92	Seal-oil supply port	2	2	2	2	2	2	
8	24 1510 93	Screw reservoir mtg.	2	2	2	2	2	2	
9	24 1510 97	Major kit	1	1	1	1	1	1	
10	24 1510 98	Minor Kit	1	1	1	1	1	1	
11	39 1389 04	Hex bolt TMC mounting	2	2	2	2	2	2	
12	BH 1318 03	Assly TMC with hose fl	1	1	1	1	1	1	



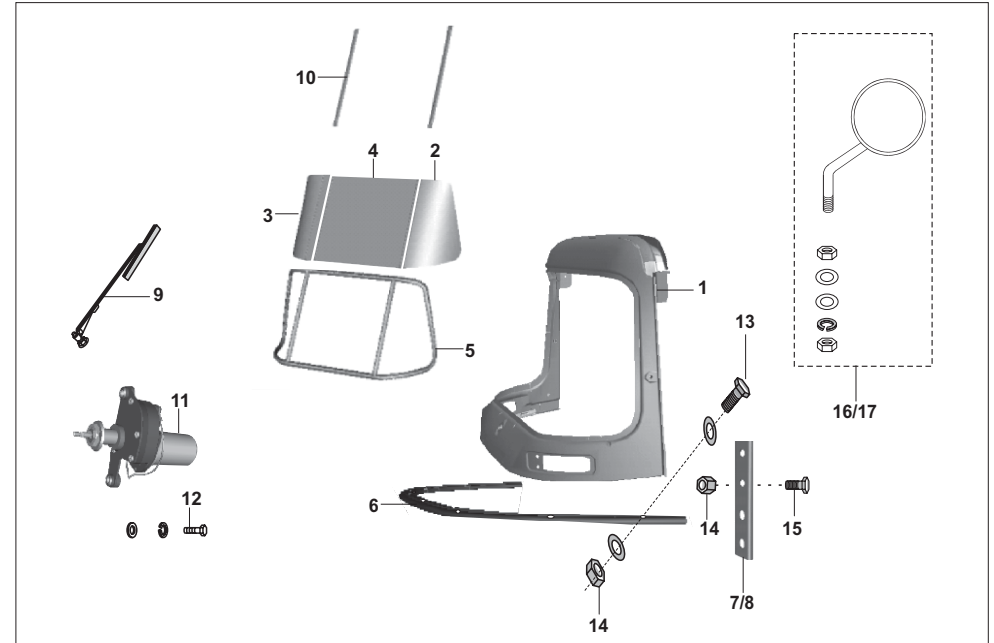
No.	Part No.	Description	Qty/Veh.-ES			NES			Remarks
			24	AG	AS	24	AG	AS	
1	24 1512 56	Assembly brake pedal with pad	1	1	1	1	1	1	
2	24 1512 32	Pad brake pedal	1	1	1	1	1	1	
3	24 1512 55	Spring brake pedal retainer	1	1	1	1	1	1	
4	39 0208 11	Plain washer	1	1	1	1	1	1	
5	39 0147 08	Split pin	1	1	1	1	1	1	
6	39 1702 07	Clevis pin with head	1	1	1	1	1	1	
7	24 1510 61	Hand brake lever assembly	1	1	1	1	1	1	
8	39 0694 15	Nut - hexagon lock M8 X 1.25	3	3	3	3	3	3	
9	22 1505 07	Ratchet	1	1	1	1	1	1	
10	24 1510 67	Bracket - rear cable guide	1	1	1	1	1	1	
11	24 1510 68	Pin - rear cable guide	1	1	1	1	1	1	
12	24 1512 38	Nut special M6	1	1	1	1	1	1	
13	24 1614 68	Lever assembly reverse	1	1	1	1	1	1	
14	24 2014 21	Reverse switch & cable assy	1	1	1	1	1	1	
15	AN 1910 17	Grip hand reverse	1	1	1	1	1	1	
16	39 1027 02	Screw -cross cheese head	1	1	1	1	1	1	
17	AL 1511 05	Spring - hand brake	1	1	1	1	1	1	
18	24 1911 44	Spring tension for reverse gear	1	1	1	1	1	1	
19	AL 1511 04	Controller lever hbrake	1	1	1	1	1	1	NI
20	DJ 2011 09	Front brake switch(minda)	1	1	1	1	1	1	
21	39 0855 17	Circlip :- e-type	1	1	1	1	1	1	NI



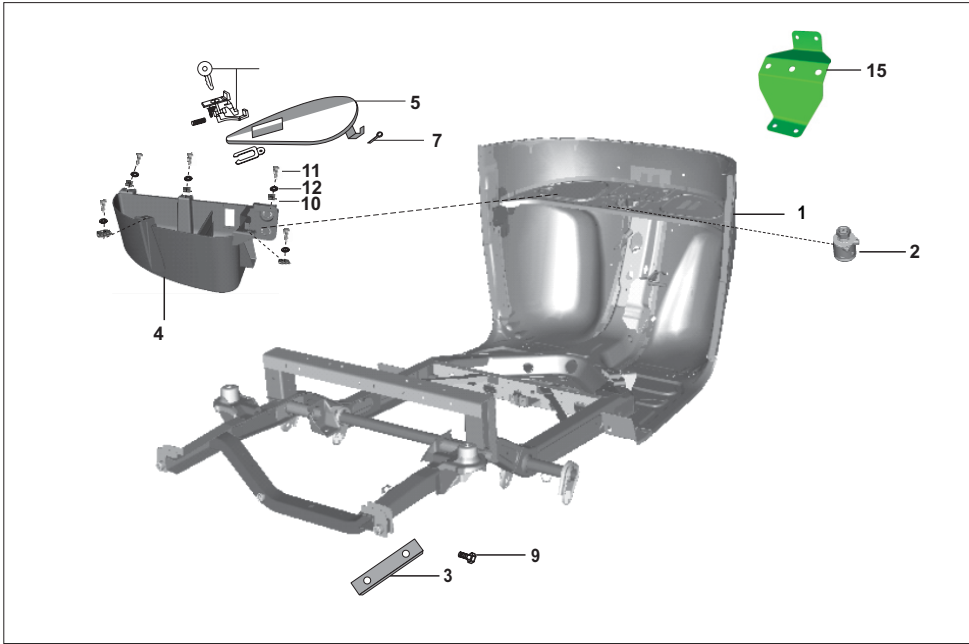
No.	Part No.	Description	Qty/Veh.-ES			NES			Remarks
			24	AG	AS	24	AG	AS	
1	AP 1610 48	Handle bar body	1	1	1	1	1	1	
1	24 1512 74	Handle bar body	1	1	1	1	1	1	fr.8.3.2015
2	39 1377 04	Hex. bolt with collar	1	1	1	1	1	1	
3	39 0201 11	Plain washer	2	2	2	2	2	2	
5	39 0296 15	Hex nut	1	1	1	1	1	1	
6	AA 1910 32	Clutch lever	1	1	1	1	1	1	
7	24 1911 05	Clutch lever screw	1	1	1	1	1	1	
8	24 1810 74	Assembly gear cntl tube	1	1	1	1	1	1	
9	06 1910 89	Grip hand gear control	1	1	1	1	1	1	
10	24 1911 84	Gear control pulley	1	1	1	1	1	1	
11	24 1911 85	Spring clip	1	1	1	1	1	1	
12	24 1910 99	Indicator ring gear	1	1	1	1	1	1	
13	24 1911 87	Assely gas cntrl tube withgrip	1	1	1	1	1	1	
13	24 1910 98	Assely gas cntrl tube	1	1	1	1	1	1	
14	06 1910 89	Hand grip acc	1	1	1	1	1	1	
15	24 1911 01	Pulley gas control	1	1	1	1	1	1	
16	LH C000 01	Pin spring gear cotr tube	1	1	1	1	1	1	
17	CM 1910 49	Spring clip	1	1	1	1	1	1	
18	30 1210 04	Ring - snap	1	2	2	1	2	2	
18	03 1902 04	Plain washer	1	1	1	1	1	1	
19	01 1902 05	Washer spring	1	1	1	1	1	1	
20	03 1902 06	Plain washer	1	1	1	1	1	1	
21	39 0326 15	Nut M5	1	1	1	1	1	1	
22	01 1901 15	Spacer ring-check	1	1	1	1	1	1	NI



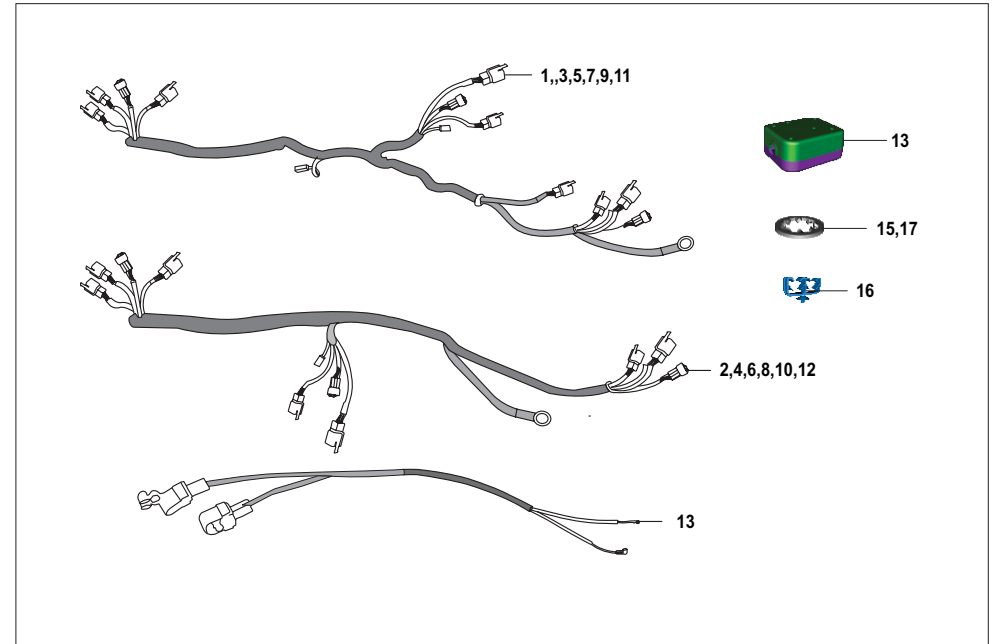
No.	Part No.	Description	Qty/Veh.-ES			NES			Remarks	
			24	AG	AS	24	AG	AS		
1	24 1911 82	Choke cable comp	1	1	1	1	1	1	from 28.01.2014	
1	24 1912 00	Cable assly choke	1	1	1	1	1	1		
2	24 1911 74	Cable complete accelerator	1	1	1	1	1	1		
3	24 1911 76	Cable assy gear comp.(white)	1	1	1	1	1	1		
4	24 1911 77	Cable assy gear comp.(Black)	1	1	1	1	1	1		
5	AA 1910 95	Gear cable inner	2	2	2	2	2	2		
6	24 1911 75	Clutch cable complete	1	1	1	1	1	1		
7	24 1911 39	Rev. cable assly.	1	1	1	1	1	1		
8	BG 1318 02	Cable assly. H/Br. front	1	1	1	1	1	1		
9	AA 1510 52	Cable assly. H/Br. rear LH	2	2	2	2	2	2		
10	AA 1510 53	Cable assly. H/Br. rear RH	1	1	1	1	1	1		
11	24 1911 78	Cable speedometer	1	1	1	1	1	1		
12	24 1911 79	Inner speedometer	1	1	1	1	1	1		
13	AZ 1612 13	Choke Knob	1	1	1	1	1	1		
14	24 1911 20	Guide for cable	1	1	1	1	1	1		NI
15	24 1810 67	Guide for clutch cable	1	1	1	1	1	1		NI
16	24 1652 30	Grommet upper part fl	3	3	3	3	3	3		NI
17	BH 1216 21	Nut hexagon	1	1	1	1	1	1	NI	
18	39 1970 15	Nut hexagon	2	2	2	2	2	2	NI	



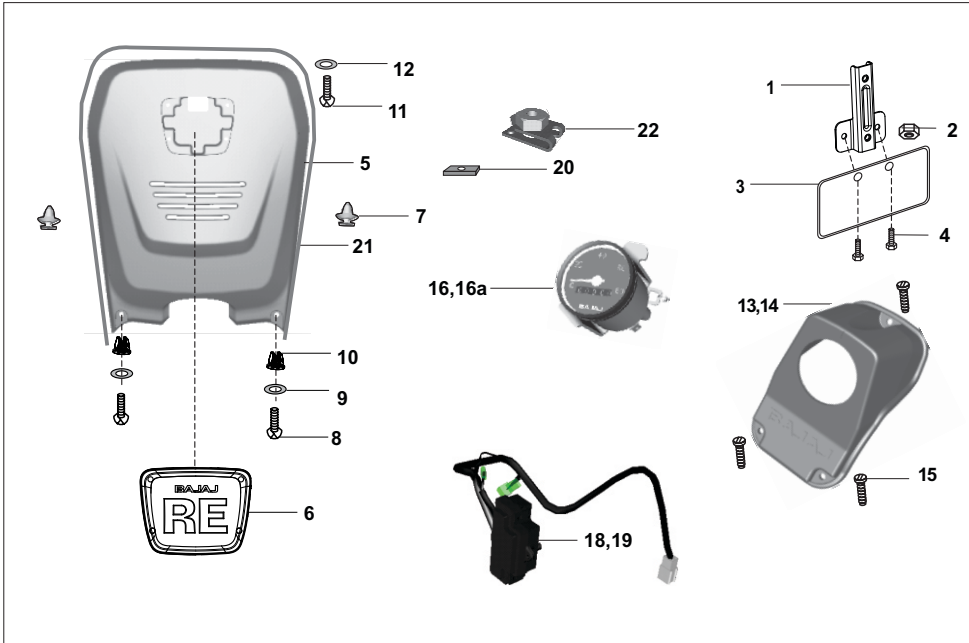
No.	Part No.	Description	Qty/Veh.-ES			NES			Remarks
			24	AG	AS	24	AG	AS	
1	24 2315 93	Windshield assly	1	1	1	1	1	1	alt-52240645
2	24 2317 78	Side glass L.H.	1	1	1	1	1	1	alt-24231658
3	24 2317 79	Side glass R.H.	1	1	1	1	1	1	alt-24231659
4	24 2317 80	Central glass	1	1	1	1	1	1	alt-24231660
5	24 2316 61	Rubber beading	1	1	1	1	1	1	
6	24 2316 41	Packing for shield & windsh.	1	1	1	1	1	1	
7	24 2316 15	Joint plate LH	1	1	1	1	1	1	
8	24 2316 16	Joint plate R.H.	1	1	1	1	1	1	
9	22 2306 35	Wiper blade assly	1	1	1	1	1	1	
10	24 2316 62	Support windshield glass fl	4	4	4	4	4	4	
11	24 2015 26	Wiper motor	1	1	1	1	1	1	
11a	24 2015 24	Grommet wiper motor small fl	1	1	1	1	1	1	
12	KA DA06 20	Bolt-flange wiper motor	3	3	3	3	3	3	
13	39 0085 04	Bolt shield mounting	9	9	9	9	9	9	
13	KA Aa05 25	BOLT	11	11	11	11	11	11	
14	39 2484 15	Flange nut	17	17	17	17	17	17	
15	39 0071 04	Bolt hex head	8	8	8	8	8	8	Alt-KAAA0516
16	AA 2210 06	Mirror Assly. RH	1	1	1	1	1	1	
17	AA 2210 05	Mirror Assly. LH	1	1	1	1	1	1	
18	22 2312 81	Plate ii for windshield glass	8	8	8	8	8	8	NI
19	39 0287 15	nut hexagon	8	8	8	8	8	8	NI
20	39 0258 11	Washer - plain	38	38	38	38	38	38	NI
21	AA 2210 04	Mirror set	1	1	1	1	1	1	



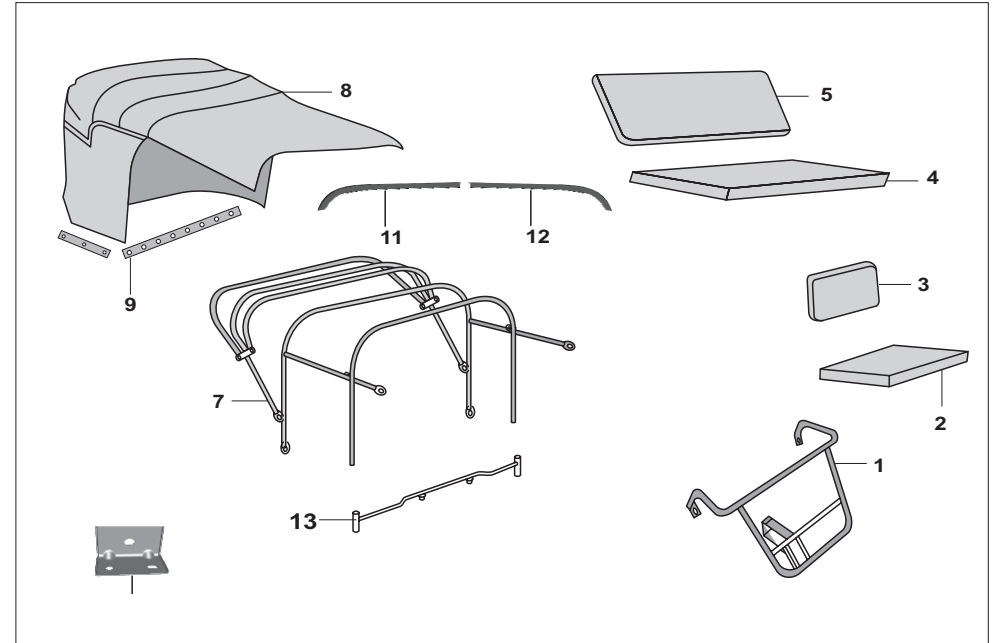
No.	Part No.	Description	Qty/Veh.-ES			NES			Remarks
			24	AG	AS	24	AG	AS	
1	52 2440 58	Bare chassis/ frame complete	1	-	-	1	-	-	24165271 & 24165175
1	52 2407 43	Bare chassis/ frame complete	-	1	1	-	1	1	As160027&AS160015
2	24 1811 56	Lock set	1	1	1	-	1	1	
2	24 1811 55	Lock set	-	-	-	1	-	-	
3	24 2317 26	Packing chassis & tray -frame	8	8	8	8	8	8	
4	24 1653 03	Toolbox	1	1	1	1	1	1	
4a	24 1615 05	Assembly toolbox	1	1	1	1	1	1	
5	52 2100 43	Tool box door assly(22160805)	1	1	1	1	1	1	
6	39 2374 23	Grommet for upper part	1	1	1	1	1	1	
7	39 0156 08	Pin spilt tool box door	1	1	1	1	1	1	
8	AA 1610 89	Bracket faremeter coupler	1	1	1	1	1	1	NI
9	AA 2312 45	Bolt for packing	8	-	-	8	-	-	
10	05 1612 56	Clip nut-m6	5	5	5	5	5	5	
11	KA EA06 22	Screw round head m6x1 I30	5	5	5	5	5	5	ALT-39 2585 01
12	39 1211 11	Plain washer	5	5	5	5	5	5	
13	36 2440 42	St lock (24181016)-with key	1	1	1	1	1	1	NI
14	06 1803 03	Spring	1	1	1	1	1	1	NI



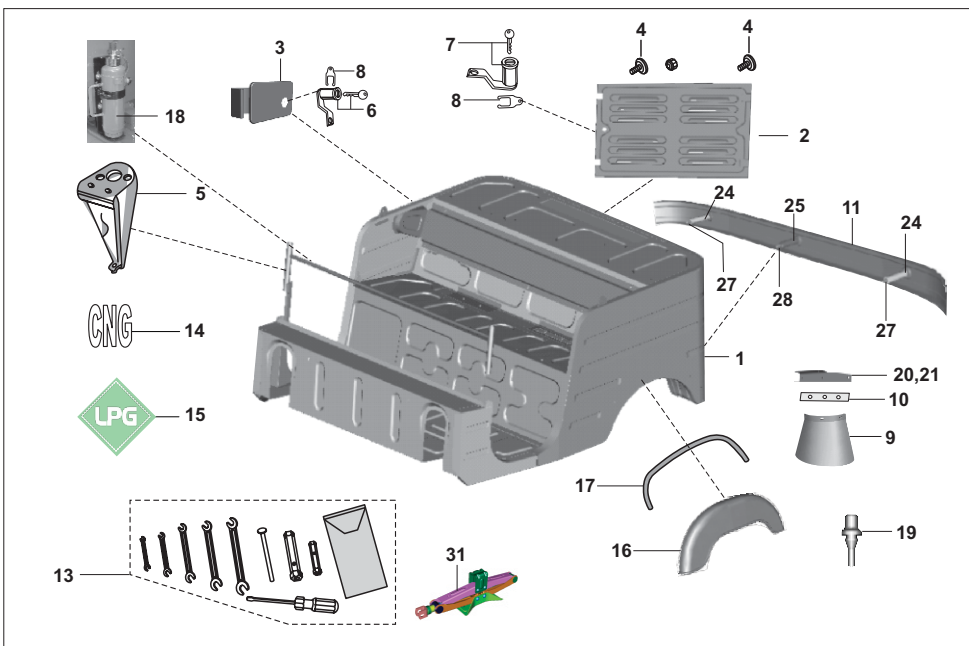
No.	Part No.	Description	Qty/Veh.-ES			NES			Remarks
			24	AG	AS	24	AG	AS	
1	24 2015 29	Harness wiring Fr	1	-	-	-	-	-	
1	24 2015 82	Harness rear es p -emc	1	-	-	-	-	-	from 02.10.2015
2	24 2015 30	Harness wiring Rear	1	-	-	-	-	-	
3	AG 2010 30	Harness wiring Fr	-	1	-	-	-	-	
3	AG 2010 41	Harness front re145 lpg es	-	1	-	-	-	-	
3	AG 2010 54	Harness rear re145 es lpg	-	1	-	-	-	-	from 02.10.2015
4	AG 2010 31	Harness wiring rear	-	1	-	-	-	-	
5	AS 2010 15	Harness wiring Fr	-	-	1	-	-	-	NI
5	AS 2010 27	Harness front re145 es cng	-	-	1	-	-	-	
5	As 2010 41	Harness rear re145 es cng emc	-	-	1	-	-	-	from- 02.10.15
6	AS 2010 16	Harness wiring rear	-	-	1	-	-	-	
7	24 2015 27	Harness wiring Fr	-	-	-	1	-	-	
7	24 2015 49	Harness front petrol	-	-	-	1	-	-	from 26.03.2014
8	24 2015 28	Harness wiring rear	-	-	-	1	-	-	
8	24 2015 83	Harness rear es p -emc	-	-	-	1	-	-	from 02.10.2015
9	AG 2010 25	Harness wiring Fr	-	-	-	-	1	-	
9	AG 2010 39	Harness wiring rear	-	-	-	-	1	-	FR-12.11.13
10	AG 2010 22	Harness wiring rear	-	-	-	-	1	-	
11	AS 2010 07	Harness wiring front	-	-	-	-	-	1	
11	AS 2010 26	Harness wiring rear	-	-	-	-	-	1	FR-12.11.13
12	AS 2010 06	Harness wiring rear	-	-	-	-	-	1	
12	As 2010 42	Harness wiring rear 145 cng fl	-	-	-	-	-	1	fr-02.10.15
13	24 2014 93	Cable battery	1	1	1	-	-	-	
14	24 2013 63	Cable assy(flasher hazard+sw)	-	-	-	1	-	-	NI
14a	24 2013 61	Cable assy(flashr/fusebox)lpg tl	-	-	-	-	1	-	
14b	24 2013 60	Cable assy relay/flasher/fusebox	-	-	-	-	-	1	
15	24 2015 75	Harness Body: pigtail mtg ht coil	1	1	1	1	1	1	



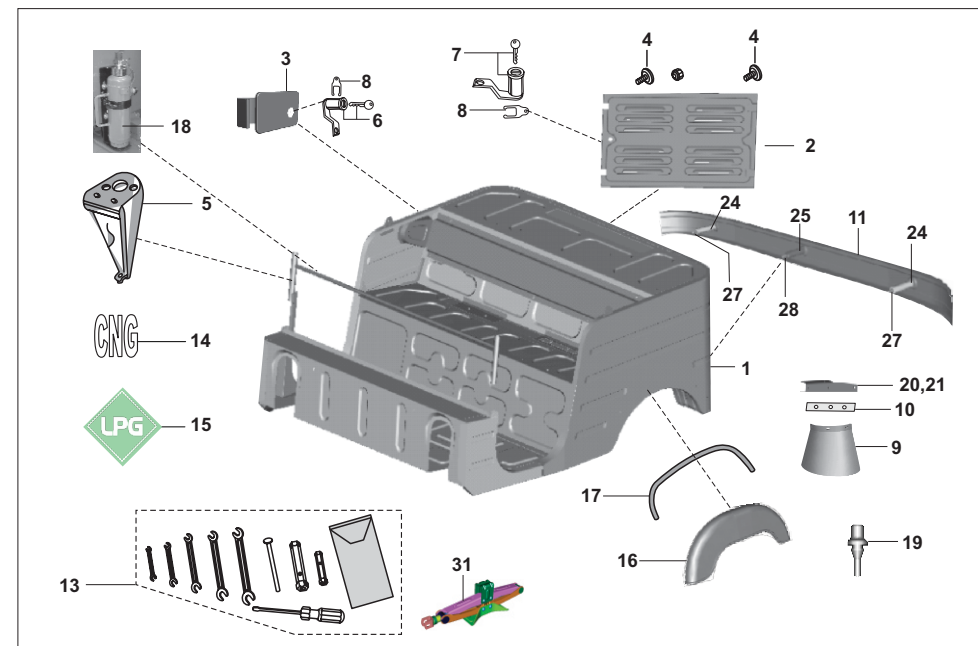
No.	Part No.	Description	Qty/Veh.-ES			NES			Remarks
			24	AG	AS	24	AG	AS	
1	24 1651 32	Bracket fr number plate mtg	1	1	1	1	1	1	
2	39 0817 15	Hex nut/flange-m6	2	2	2	2	2	2	
3	22 1612 21	Plate -number	1	1	1	1	1	1	
4	39 1680 04	Bolt flange m6	2	2	2	2	2	2	
5	24 1652 34	Assembly steering cover	1	1	1	1	1	1	
6	BG 2330 02	Emblem bajaj re for scudo	1	1	1	1	1	1	
7	24 1652 55	Clip plastic Fl	2	2	2	2	2	2	
8	39 1907 01	Mushroom head screw	2	2	2	2	2	2	
9	39 0454 11	Plain washer	2	2	2	2	2	2	
10	AL 1612 36	Plug plastic	2	2	2	2	2	2	
11	59 0100 05	Screw round head	1	1	1	1	1	1	
12	01 1106 09	Washer - plain	1	1	1	1	1	1	
13	AP 1810 09	Handle bar top cover	1	1	1	1	1	1	
14	24 1810 39	Handle bar top cover	-	1	1	-	1	1	
14	24 1811 63	Cover handle bar	1	1	1	1	1	1	
15	KB UC04 10	Screw truss M4 X 0.7P	3	3	3	3	3	3	
16	24 1911 08	Speedometer	1	-	-	1	-	-	
16a	AS 1900 07	Speedometer	-	1	1	-	1	1	
16	24 2015 59	Speedometer assly	1	1	1	1	1	1	
17	25 1910 54	LAMP :- 12V - 2W	-	1	1	-	1	1	
17	Jd 4010 32	Bulb 12v 5w e-marked	1	1	1	1	1	1	
18	AS 2010 10	Assly indicator CNG	-	-	1	-	-	1	
19	AG 2010 26	Assly indicator LPG	-	1	-	-	1	-	
20	24 1652 34	Grommet steering cover refl	1	1	1	1	1	1	
21	24 1653 02	Beading steering cover fl	1	1	1	1	1	1	
22	DJ 1612 29	Clip nut m5	2	2	2	2	2	2	



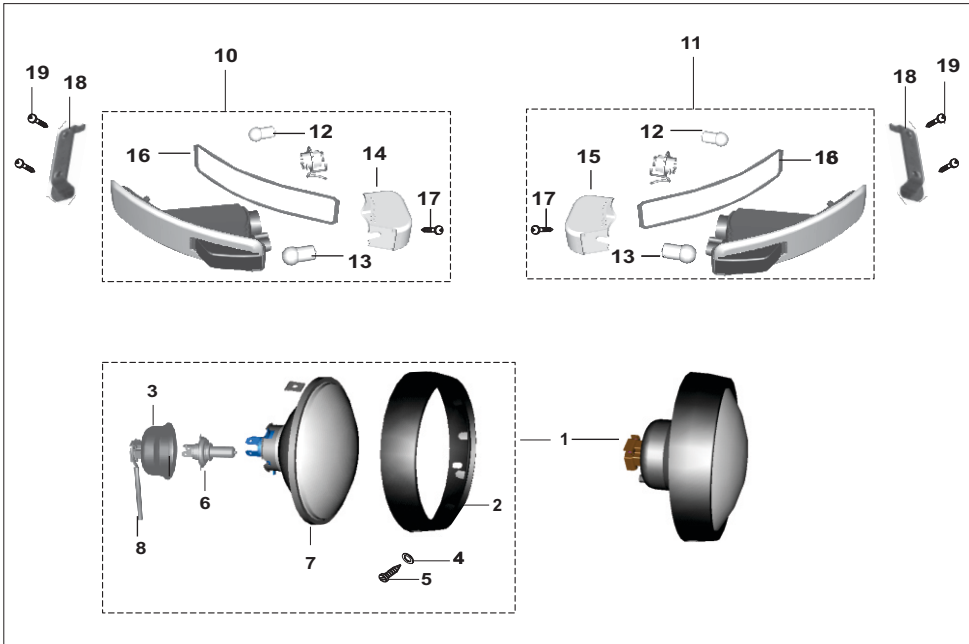
No.	Part No.	Description	Qty/Veh.-ES			NES			Remarks
			24	AG	AS	24	AG	AS	
1	AP 1610 54	Assy frame driver seat	1	1	1	1	1	1	
2	AA 2311 40	Assembly seat driver	1	1	1	1	1	1	
3	AF 2310 78	Backrest assly driver	1	1	1	1	1	1	
4	AF 2310 79	Seat assly passenger	1	1	1	1	1	1	
5	AA 2311 41	Backrest passenger	1	1	1	1	1	1	
6	24 2316 20	Assembly backrest support top	2	2	2	2	2	2	
7	24 2317 48	Assembly hood frame complete	1	1	1	1	1	1	
8	24 2316 04	Hood complete yellow	1	1	1	1	1	1	
8a	24 2316 05	Hood complete black	1	1	1	1	1	1	
8b	24 2317 59	Hood complete green	1	1	1	1	1	1	
8c	24 2317 60	Hood complete white	1	1	1	1	1	1	
9	AT 2130 01	Stripe Aluminium	-	1	1	-	1	1	
9a	24 2304 17	Strip Aluminium	1	-	-	1	-	-	
11	24 2317 72	Assembly stick hood i	1	1	1	1	1	1	
12	24 2317 75	Assembly stick hood II	1	1	1	1	1	1	
13	24 2316 20	Assly backrest support	1	1	1	1	1	1	
14	24 2317 61	Strip hood fixing-smaller	1	1	1	1	1	1	NI
15	24 2317 62	Strip hood fixing-bigger	1	1	1	1	1	1	NI
16	24 2314 21	Spacer behind pass backrest	3	3	3	3	3	3	NI
17	24 2311 46	Clip for driver seat	2	2	2	2	2	2	NI
18	Aa 2311 29	Damper for seat driver	3	3	3	3	3	3	NI
19	AA 2311 47	Assly driver seat com	1	1	1	1	1	1	NI
20	39 1501 11	Washer plain	7	7	7	7	7	7	NI
21	39 1159 02	Screw slotted stick	7	7	7	7	7	7	NI



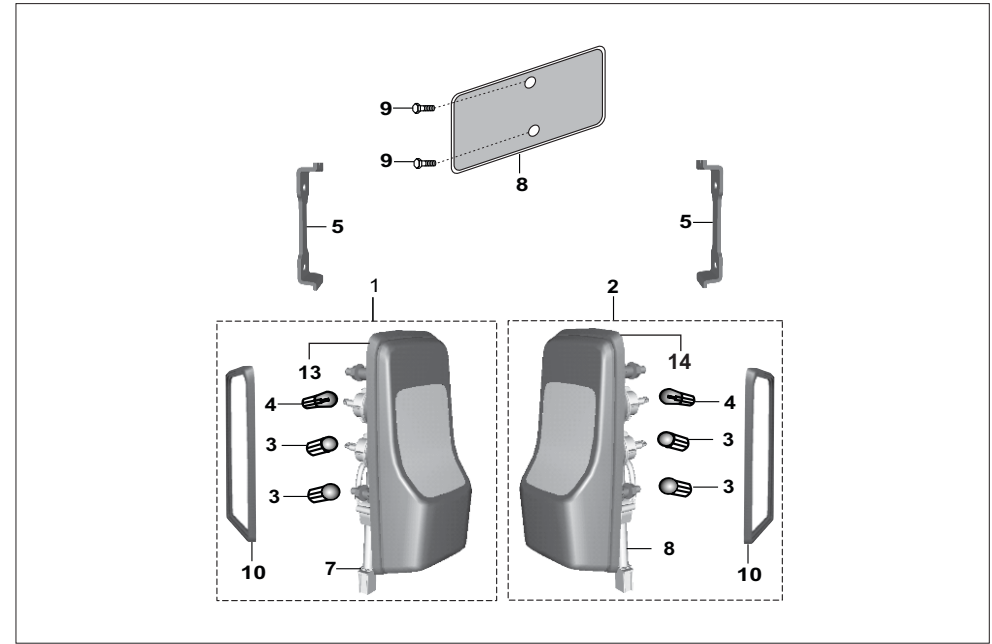
No.	Part No.	Description	Qty/Veh.-ES			NES			Remarks
			24	AG	AS	24	AG	AS	
1	52 2440 65	Body assembly complete	1	-	-	1	-	-	Aa231216
1a	52 2440 66	Body assembly complete	-	1	1	-	1	1	AF231171 , Af231177
2	52 2406 64	Door assembly - rear	1	1	1	1	1	1	Ba231058
3a	52 2407 47	Door assly. side filling	1	-	-	1	-	-	Ba231133
3a	52 AF01 18	Door assly. Gas filling	-	1	1	-	1	1	Af231160
4	24 2312 45	Knob for rear door	2	2	2	2	2	2	
5	24 2301 76	Knob complete for door	1	1	1	1	1	1	
6	36 2440 44	Lock fuel filling door With Key	1	1	1	1	1	1	Lock(24181144)
7	36 2440 24	Lock for rear door	1	1	1	1	1	1	Lock(24230197)
8	01 1607 17	Lock Clip	2	2	2	2	2	2	
9	24 2301 85	Mud flap	2	2	2	2	2	2	
10	24 2311 57	Stripe RE mudguard flap	2	-	-	2	-	-	
11	24 1651 37	Bumper assembly ED Coated	1	1	1	1	1	1	
12	24 2314 73	Matting Rear	1	1	1	1	1	1	NI
13	24 2210 31	Tool kit complete	1	1	1	1	1	1	
14	AF 1610 24	Label CNG	-	-	1	-	-	1	
14a	AF 1610 40	Label -CNG	-	-	1	-	-	1	'delhi requirement'
15	AM 1610 20	Label LPG	-	1	-	-	1	-	
16	52 2100 40	Rear mudguard assly	2	2	2	2	2	-	25231062
17	25 2310 64	Beading for rear mudguard	2	2	2	2	2	-	



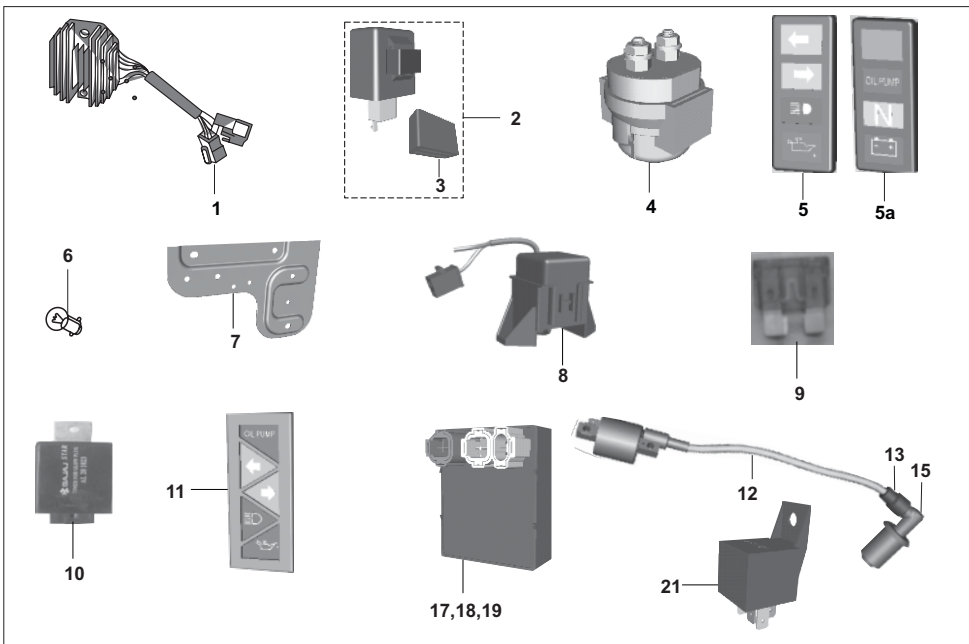
No.	Part No.	Description	Qty/Veh.-ES			NES			Remarks
			24	AG	AS	24	AG	AS	
18	AS 2200 02	Bkt for fire extiguisher	-	-	1	-	1	1	
19	24 2301 98	Pad rubber	4	4	4	4	4	4	
20	24 2310 90	Angle right hand rear mud flap	1	-	-	1	-	-	
21	24 2310 91	Angle left hand rear mud flap	1	-	-	1	-	-	
22	24 2314 99	Cover side	2	2	2	2	2	2	NA
23	24 2316 30	Screw self drill	10	10	10	10	10	10	NA
24	24 1652 74	Sleeve bumper mtg side fl	2	2	2	2	2	2	
25	24 1652 73	Sleeve bumper mtg mid fl	1	1	1	1	1	1	
26	KD AB10 85	Washer_plain_small	3	3	3	3	3	3	NI
27	KA AG08 85	Bolt	2	2	2	2	2	2	
28	KA AG08 70	Bolt	1	1	1	1	1	1	
29	BB 2210 04	Jack assly	1	1	1	1	1	1	
30	KC Gd08 08	Nut hex flanged	2	2	2	2	2	2	
31	KA Dd06 30	Bolt flanged-jack	1	1	1	1	1	1	
32	AA 2311 26	Damper for door side filling	2	2	2	2	2	2	
33	AA 2311 54	Cushion	1	1	1	1	1	1	
34	24 2210 32	Emblem compact	1	1	1	1	1	1	
35	24 2210 33	Emblem petrol	1	-	-	1	-	-	
36	24 2210 34	Emblem bajaj RE logo	1	1	1	1	1	1	



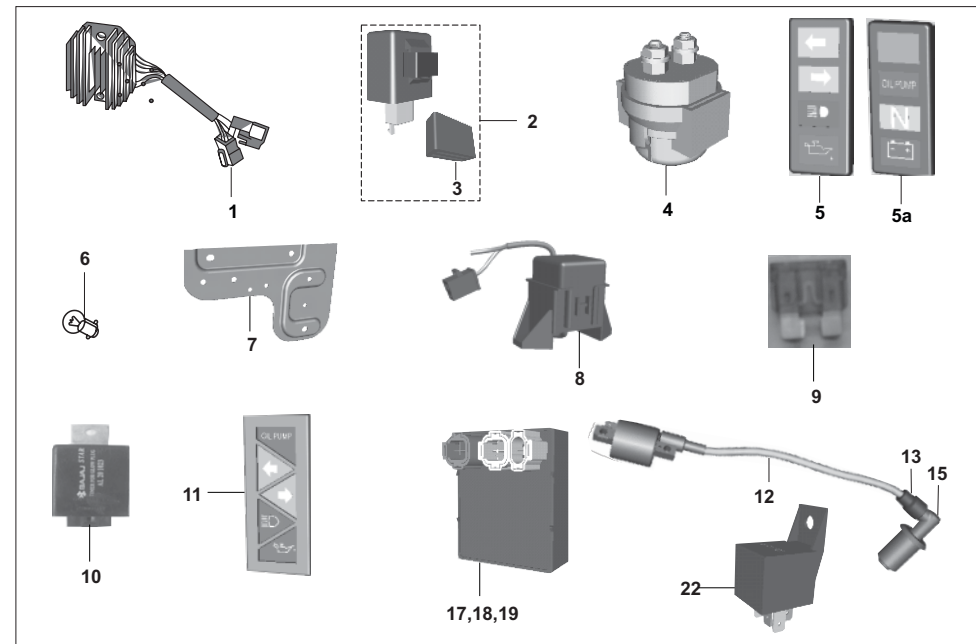
No.	Part No.	Description	Qty/Veh.-ES			NES			Remarks
			24	AG	AS	24	AG	AS	
1	24 2013 68	Head light comp with lamp	1	1	1	1	1	1	
2	24 2013 78	Rim - head light(new)	1	1	1	1	1	1	
3	AP 2010 66	Rubber cap new head light	1	1	1	1	1	1	
4	01 2002 13	Washer Cup	2	2	2	2	2	2	
5	KB CA04 14	Screw Csc	2	2	2	2	2	2	
6	CL 2010 23	Lamp 12V, 35 / 35W	1	1	1	1	1	1	
7	36 2440 75	Reflector assly/ bulb holder	1	1	1	1	1	1	
8	24 2013 80	Cable assbly(head Light	1	1	1	1	1	1	
9	AB 2010 65	Head lamp housing.	1	1	1	1	1	1	
10	24 2014 87	Ind assly. Front LH/ Lamp	1	1	1	1	1	1	
11	24 2014 88	Ind assly. Front RH/ Lamp	1	1	1	1	1	1	
12	DJ 2010 72	Lamp 12V 5W	2	2	2	2	2	2	
13	06 2010 83	Lamp 12V 10W	2	2	2	2	2	2	
14	24 2014 85	Cover side indicator front Lh	1	1	1	1	1	1	
15	24 2014 86	Cover side indicator front Rh	1	1	1	1	1	1	
16	24 2014 84	Gasket front side indicator	2	2	2	2	2	2	
17	24 2015 04	Assembly lens & rfltr fr ind fl	2	2	2	2	2	2	
18	24 2015 23	Holder front indicator assy	2	2	2	2	2	2	
19	KB Rb35 25	Screw tapping pan slotted	4	4	4	4	4	4	
20	24 2015 02	Cable fr indi with holder lh fl	1	1	1	1	1	1	NI
21	24 2015 03	Cable fr indi with holder rh fl	1	1	1	1	1	1	NI



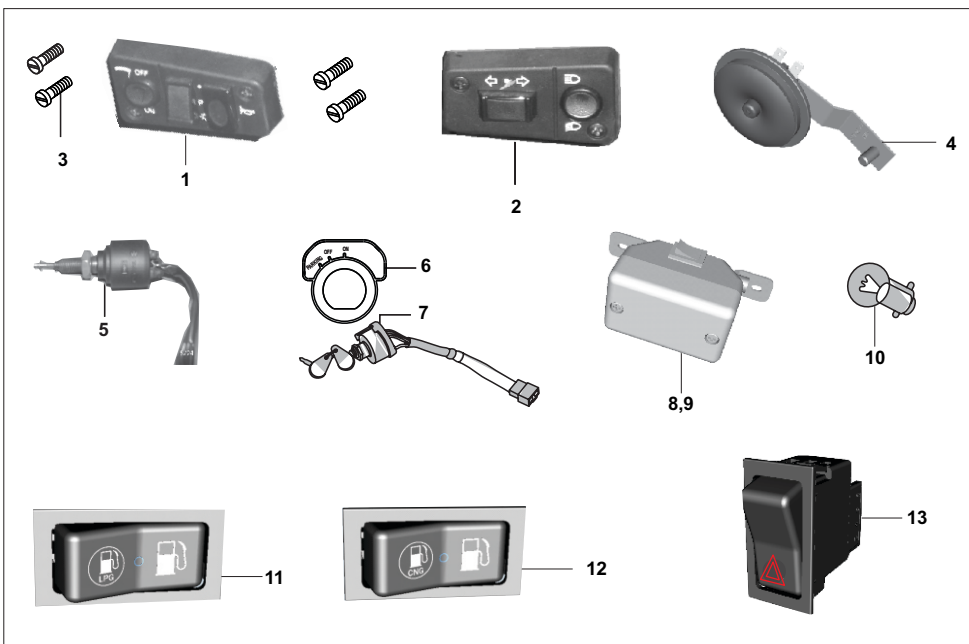
No.	Part No.	Description	Qty/Veh.-ES			NES			Remarks
			24	AG	AS	24	AG	AS	
1	24 2014 72	Tail light LH with Lamp	1	1	1	1	1	1	
2	24 2014 73	Tail light RH with lamp	1	1	1	1	1	1	
3	AA 2012 27	Lamp 12V 18/5W	4	--	--	--	--	--	
3	20 2010 29	LAMP 12V 21/5W	--	4	4	4	4	4	NS
4	GH 2010 12	Lamp:-12V-10W(cl:-Amber)	2	2	2	2	2	2	
4	18 2010 44	LAMP :- 12V - 10W - R 10W	2	2	2	2	2	2	
5	AA 2010 90	Bracket mounting tail light	2	2	2	2	2	2	
6	24 2015 00	Cable taillamp with holder Lh	1	1	1	1	1	1	
7	24 2015 01	Cable taillamp with holder Rh	1	1	1	1	1	1	
8	22 1612 21	Plate -number	1	1	1	1	1	1	
9	KA AG08 85	Bolt	2	2	2	2	2	2	
10	24 2014 76	Gasket tail light assembly refl	2	2	2	2	2	2	
11	KC GD06 06	Bolt	4	4	4	4	4	4	N.I.
12	KB RA42 19	Screw	4	4	4	4	4	4	N.I.
13	24 2014 77	Lens tail light lh refl	1	1	1	1	1	1	
14	24 2014 99	Lens tail light rh refl	1	1	1	1	1	1	



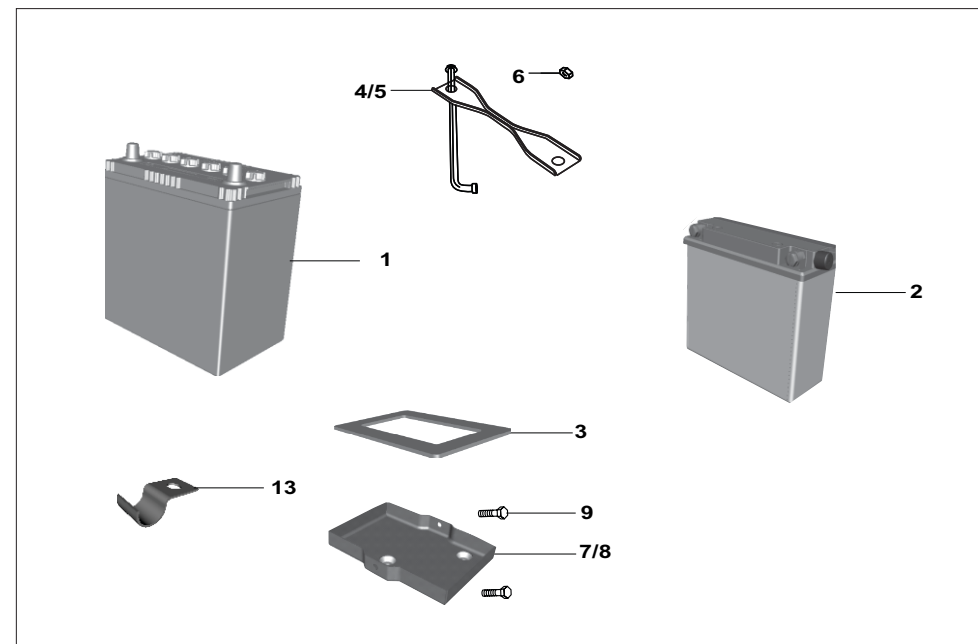
No.	Part No.	Description	Qty/Veh.-ES			NES			Remarks
			24	AG	AS	24	AG	AS	
1	24 2015 08	Regulator Dc1	1	1	1	-	-	-	
1a	24 2015 09	Regulator	--	--	--	1	1	1	
2	AB 2010 76	Relay flasher (hazard)	1	1	1	-	-	-	
2a	AP 2010 21	Relay flasher	--	--	--	1	1	1	
3	31 2010 29	Holder for relay	1	1	1	1	1	1	
4	JN 3516 04	Starter relay	1	1	1	-	-	-	
5	24 2013 04	Indicator 1	1	1	1	-	-	-	
5a	24 2015 35	Indicator 2	1	1	1	-	-	-	
6	CM 2010 54	Lamp 12V 2W	7	7	7	7	7	7	ALT- Cm201054
7	24 1652 99	Plate electrical units rear	1	1	1	-	-	-	
8	AA 2011 90	Fuse box assembly	1	-	-	-	-	-	
8a	AM 2010 60	Fuse box assembly	--	1	-	-	-	-	
8b	AF 2011 41	Fuse box assembly	-	-	1	-	-	-	
8c	24 2013 65	Fuse box assembly	--	-	-	1	-	-	
8d	AS 2010 24	Fuse box assly re145 nes cng	-	-	-	-	1	1	
9	AK 2010 12	Fuse blade type 10 Amp	7	7	7	-	-	-	
10	DG 2010 84	Fuse blade type 30 Amp	1	1	1	-	-	-	
11	24 2015 36	Assembly indicator fl	--	--	--	1	1	1	



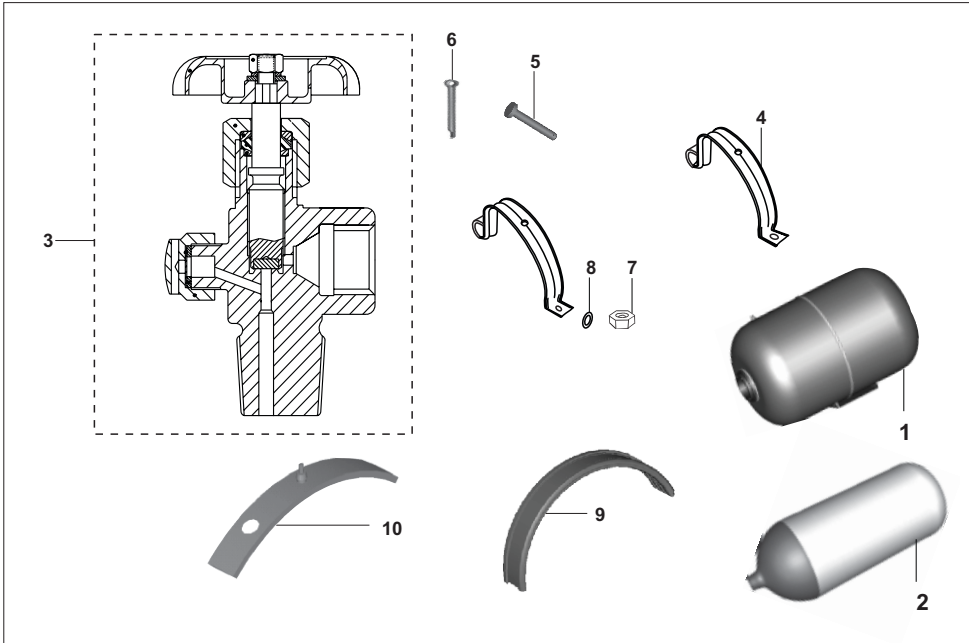
No.	Part No.	Description	Qty/Veh.-ES			NES			Remarks
			24	AG	AS	24	AG	AS	
12	24 1112 14	Coil ht assy. with cap	1	1	1	1	1	1	NS
12a	24 1112 07	Coil ht assy. With cable	1	1	1	1	1	1	
	24116157	HT Coil assly with cap	1	1	1	1	1	1	body mounted
	24116158	HT Coil assly with cable	1	1	1	1	1	1	body mounted
13	24 1111 13	Rubber grommet (h.t. Cable)	1	1	1	1	1	1	
14	24 1111 09	Gmt ht cable cap spark plug	1	1	1	1	1	1	
15	06 1113 50	Cap spark plug resistive 1	1	1	1	1	1	1	
25	AA 1111 20	Damper for cdi	1	1	1	1	1	1	
17	24 2015 40	Assly cdi damper	1	-	-	-	-	-	
18	AS 2010 18	Assly cdi damper Gas	-	1	1	-	-	-	
19	24 2015 38	Assly cdi damper KS	-	-	-	1	-	-	
20	AG 2010 38	Assembly cdi with damper	-	-	-	-	1	1	upto 11.11.2013
20	AS 2010 25	Assembly cdi with damper	-	-	-	-	1	1	from 12.11.2013
21	AF 2010 01	Relay	-	-	1	-	-	-	
22	39 1062 04	Bolt flanged small st realy	2	2	2	2	2	2	NI
23	24 2013 61	Cable assy(flashr/fusebox)lpg	-	-	-	-	1	-	
24	24 2014 89	Assembly rear ele plate	1	-	-	-	-	-	
25	24 1019 44	Spark plug cap gmt	1	1	1	1	1	1	
26	24 1020 07	Spark plug cap gmt	1	1	1	1	1	1	body MTG cap



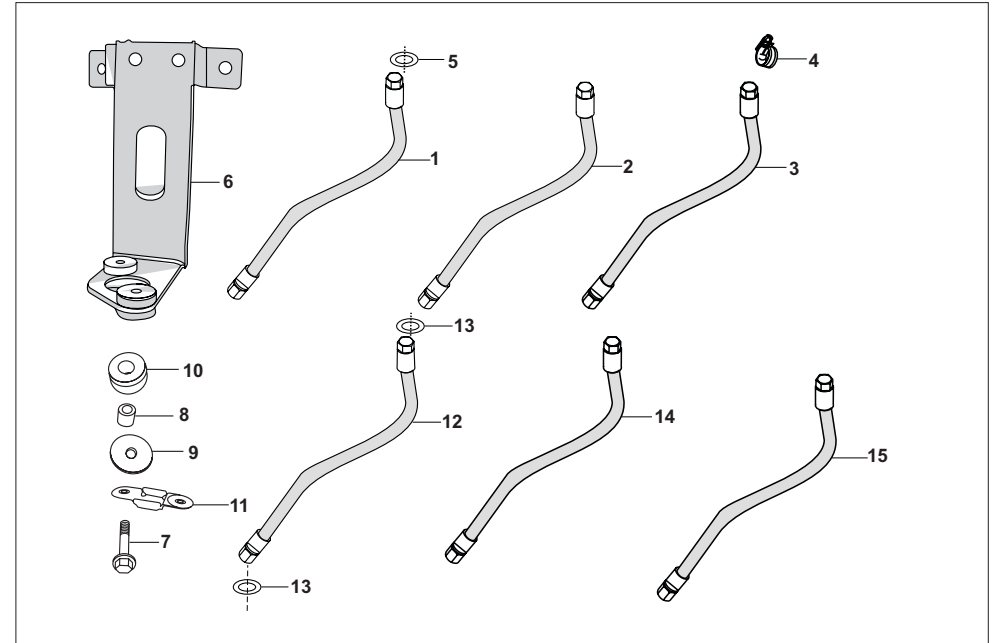
No.	Part No.	Description	Qty/Veh.-ES			NES			Remarks
			24	AG	AS	24	AG	AS	
1	AM 2011 16	Control switch RH	1	1	1	1	1	1	fr-3.4.2015
2	AL 2010 60	Control switch LH	1	1	1	1	1	1	
3	AL 2010 62	Slotted ch. hd. screw	4	4	4	4	4	4	
4	AA 2012 39	horn dc 12v with transil diode	1	1	1	1	1	1	
5	AF 2010 94	Brake switch	1	1	1	1	1	1	
6	AA 2012 58	Label ( Parking-OFF-ON )	1	1	1	-	-	-	
6a	AP 2010 12	Label ( Parking-OFF-ON )	-	-	-	1	1	1	
7	36 AA40 28	Ignition parking switch with key	1	1	1	-	-	-	Aa201254 (24201387)
7a	36 2440 43	Ignition switch with key	-	-	-	1	1	1	
8	AP 2010 58	Cabin light assembly	1	1	1	1	1	1	
9	AF 2010 81	Cabin light assembly	1	1	1	1	1	1	
10	24 2015 15	Bulb 12V,10W,Capless	-	1	1	-	1	1	
11	AG 2010 32	Switch G O P selection	-	1	-	-	1	-	
12	AS 2010 17	Switch G O P selection	-	-	1	-	-	1	
13	AB 2010 77	Hazard switch	1	1	1	-	-	-	
14	kB BA04 08	Screw pan cross cabin light	2	2	2	2	2	2	
15	39 2295 15	NUT - FLANGE :- M8	1	1	1	1	1	1	
16	AI 2010 70	Clip p for new control switch	2	2	2	2	2	2	
17	39 2631 01	Screw pan head M5	2	2	2	2	2	2	



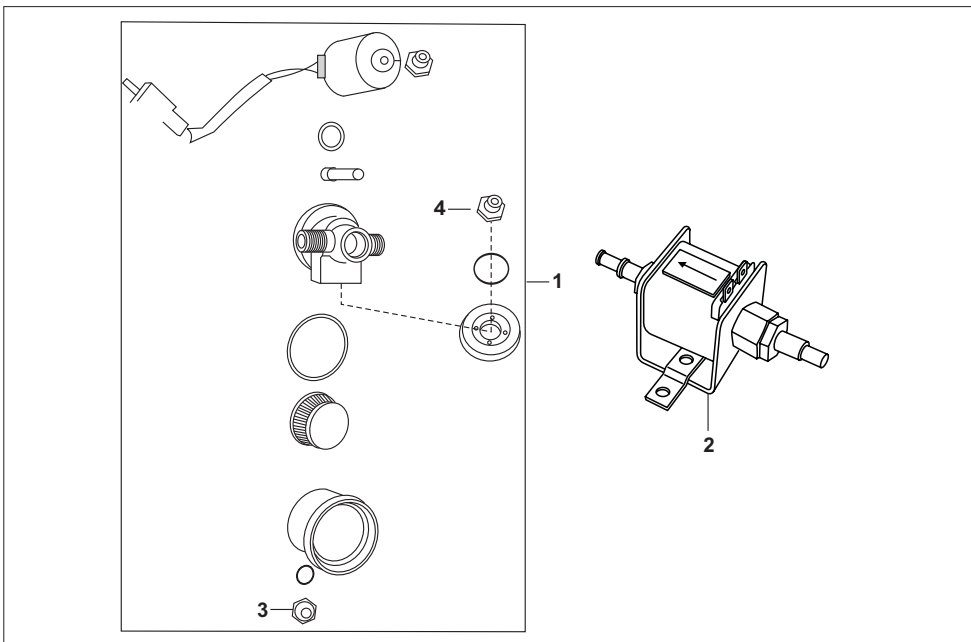
No.	Part No.	Description	Qty/Veh.-ES			NES			Remarks
			24	AG	AS	24	AG	AS	
1	BA 2010 01	Battery 32ah charged	1	1	1	-	-	-	
2	JF 4018 01	Battery MF 12v 7ah	-	-	-	1	1	1	
3	BA 1610 29	Packing battery	1	1	1	-	-	-	
3a	AS 1600 11	Packing rubber battery(7ah)	-	-	-	1	1	1	
4	AN 1610 74	Clamp Assly	1	1	1	-	-	-	
5	AS 1600 07	Clamp for 7 Ah battery	-	-	-	1	1	1	Alt-24161435
6	39 0817 15	Nut	2	2	2	-	-	-	
7	BH 1138 05	Battery tray	1	1	1	-	-	-	
8	AS 1600 06	Battery base tray plastic	-	-	-	1	1	1	
9	KA DA08 14	Bolt tray mounting	3	3	3	3	3	3	
10	22 2501 32	Cable assembly electric white	1	1	1	1	1	1	NI
11	LD F000 01	Washer - lock toothed	1	1	1	1	1	1	NI
12	KA DA06 12	Bolt flanged	1	1	1	1	1	1	NI
13	AB 1611 59	CLIP	1	1	1	1	1	1	
14	KC GA06 06	Nut hex flanged	3	3	3	3	3	3	
15	BH 1110 92	Grommet wiring harness	1	1	1	1	1	1	NI
16	AN 1610 75	Rod Tie Battery	1	1	1	-	-	-	



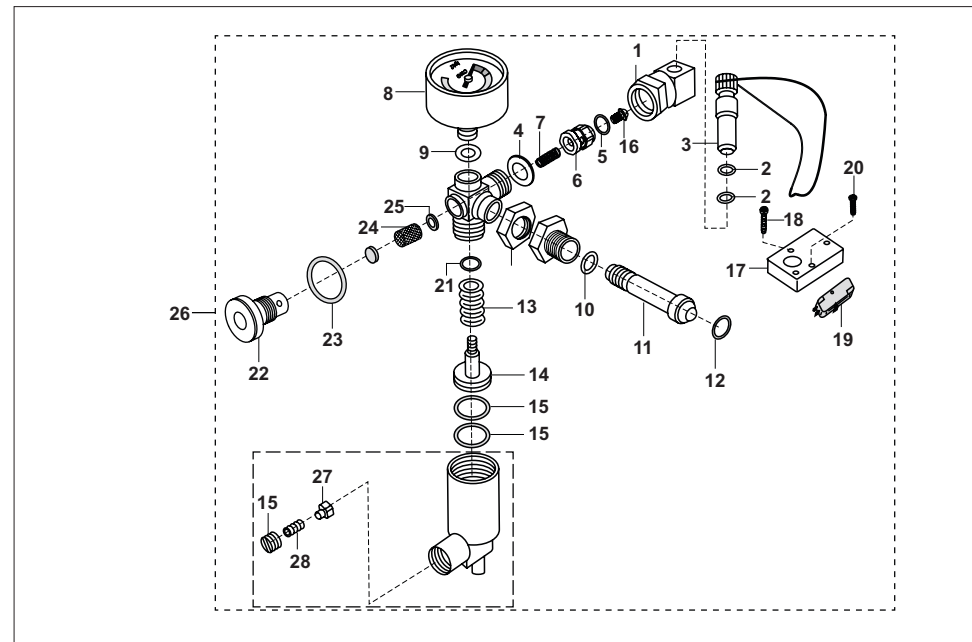
No.	Part No.	Description	Qty/Veh.-ES			NES			Remarks
			24	AG	AS	24	AG	AS	
1	AM 1410 03	LPG cylinder (20 ltrs water)	--	1	--	1	--		
2	AF 1410 59	CNG cylinder (W/o valve EKC 267)	--	--	1	--	1		
3	AF 1410 30	Valve for CNG	--	--	1	--	--		
4	AF 1610 98	Assly strap	--	2	2	--	2	2	
5	AF 1610 59	Pin for cylinder clamping strip	--	2	2	--	2	2	
6	39 0146 08	Split pin	--	2	2	--	2	2	
7	39 0302 15	Hexagon nut (M10 X1.5)	--	4	4	--	2	2	
8	39 0201 11	Plain washer	--	4	4	--	2	2	
9	AF 1610 97	Beading strap	--	2	2	--	2	2	
10	AF 1611 00	Packing lower	--	2	2	--	2	2	
11	24 1410 91	Clip Spring	--	2	2	--	2	2	
12	KC Gd10 10	Nut hex flanged	--	2	2	--	2	2	



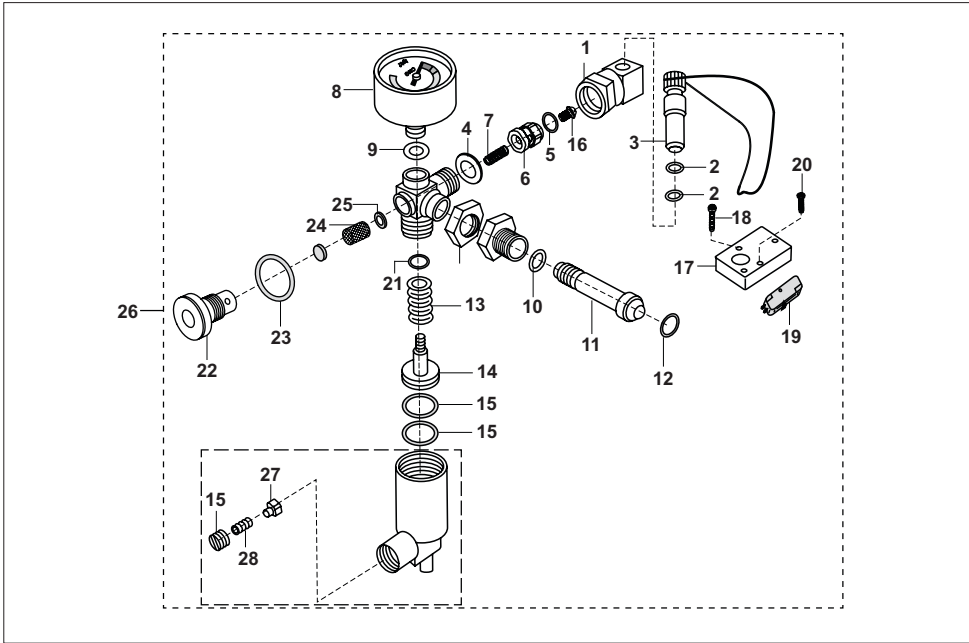
No.	Part No.	Description	Qty/Veh.-ES			NES			Remarks
			24	AG	AS	24	AG	AS	
1	24 1215 00	Hose HPR to solenoid	--	--	1	--	--	1	
2	24 1214 98	Hose solenoid to LPR	--	--	1	--	--	1	
3	AZ 1720 30	Hose low pressure CNG	--	--	2	--	--	2	
4	24 1213 54	Hose clip	--	--	4	--	--	4	
5	AF 1210 12	Washer	--	--	4	--	--	4	
6	24 1614 22	Bracket LPR mounting	--	1	1	--	1	1	
7	JS 1720 14	Flange screw	--	2	2	--	2	2	
8	JS 1138 01	Bush LPR	--	2	2	--	2	2	
9	JS 1138 02	Washer	--	2	2	--	2	2	
10	DG 1410 19	Damper	--	2	2	--	2	2	
11	24 1614 23	Guard LPR breather	--	2	2	--	2	2	
12	AM 1211 05	Assly flex. Hose -1	--	1	--	--	1	--	
13	24 1212 44	Washer	--	2	--	--	2	--	
14	24 1214 34	Assly. hose MFV to LPR	--	1	--	--	1	--	
15	JS 5812 23	Hose regulator to mixture	--	1	--	--	1	--	



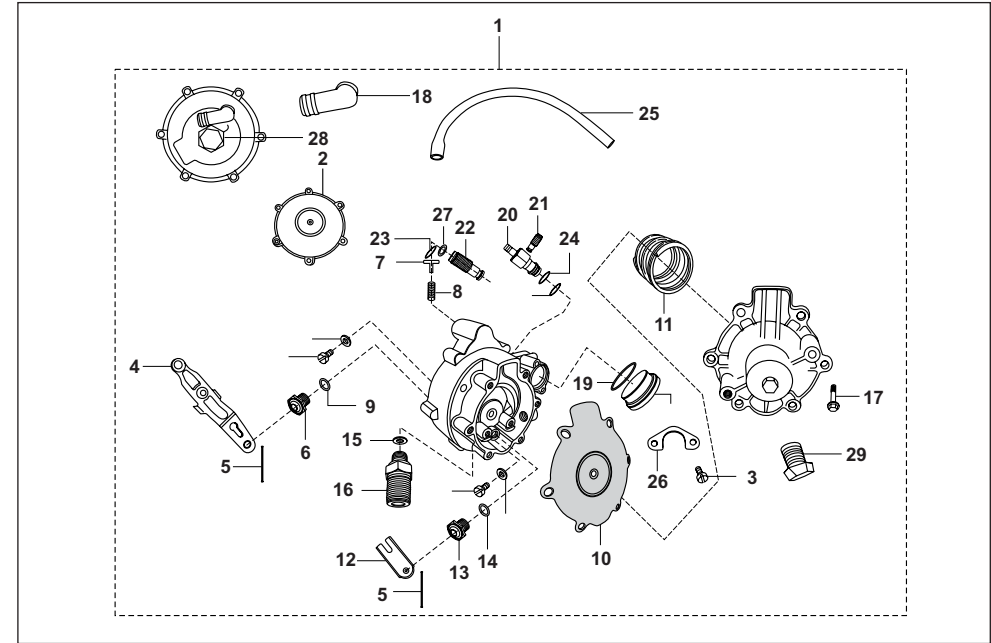
No.	Part No.	Description	Qty/Veh.-ES			NES			Remarks
			24	AG	AS	24	AG	AS	
1	24 2014 56	Solenoid -CNG paper filter	--	--	1	--	--	1	
2	RA 4026 01	Solenoid - petrol	--	--	1	--	--	1	
3	AF 1213 16	Drain plug	--	--	1	--	--	1	
4	AF 1213 23	Bolt	--	--	1	--	--	1	
5	36 AF00 29	Kit coil assly	--	--	1	--	--	1	
6	36AF00 30	Kit paper filter	--	--	1	--	--	1	



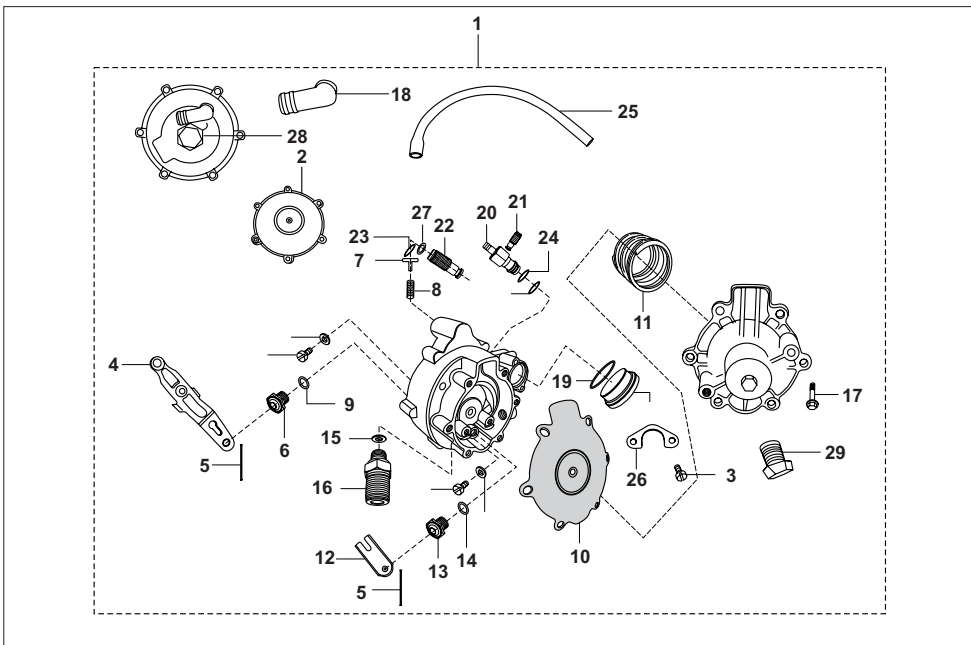
No.	Part No.	Description	Qty/Veh.-ES			NES			Remarks
			24	AG	AS	24	AG	AS	
1	AF121004	Refuelling unit for cng	--	--	1	--	--	1	
2	AF121023	Ring - o for 3w-4s-re-cng	--	--	2	--	--	2	
3	AF121018	Plug -dust	--	--	1	--	--	1	
4	AF121025	Washer-	--	--	1	--	--	1	
5	AF121026	Ring - o for re4s-cng	--	--	1	--	--	1	
6	AF121027	Seat for 3w-4s-re-cng	--	--	1	--	--	1	
7	AF121028	Spring for 3w-4s-re-cng	--	--	1	--	--	1	
8	24201333	Gauge pressure	--	--	1	--	--	1	
9	AF121029	Washer	--	--	1	--	--	1	
10	AF121030	Washer	--	--	1	--	--	1	
11	24121456	Connector ss for cng	--	--	1	--	--	1	
12	AF121032	Ring - o for 3w-4s-re-cng	--	--	2	--	--	2	
13	AF121034	Spring for 3w-4s-re-cng	--	--	1	--	--	1	
14	AF121126	First stage piston sub-assely	--	--	1	--	--	1	
15	AF121040	Screw - adjusting	--	--	1	--	--	1	
16	AF121043	Retainer for re4s-cng	--	--	1	--	--	1	
17	AF121044	Plate - mounting	--	--	1	--	--	1	
18	AF121045	Screw - philip	--	--	2	--	--	2	
19	AF201010	Switch - micro (vanaz)	--	--	1	--	--	1	
20	AF121046	Screw - philips I	--	--	2	--	--	2	



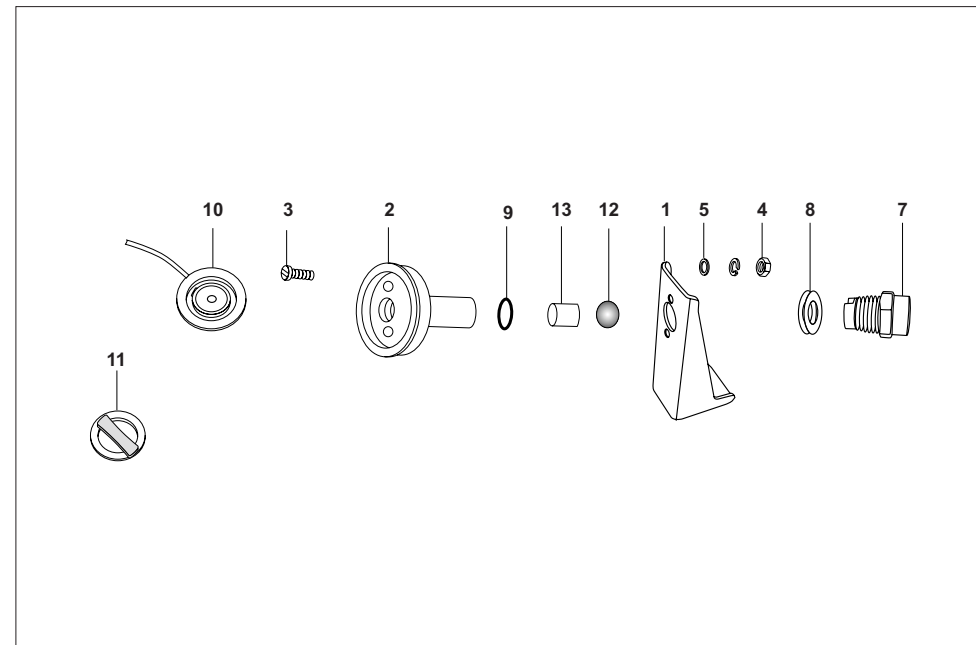
No.	Part No.	Description	Qty/Veh.-ES			NES			Remarks
			24	AG	AS	24	AG	AS	
21	AF121104	Ring - o	--	--	1	--	--	1	
22	AF121105	Retainer	--	--	1	--	--	1	
23	AF121106	Ring - o	--	--	1	--	--	1	
24	AF121107	Filter for first stage reduction	--	--	1	--	--	1	
25	AF121108	Washer - 4.5 x 11	--	--	1	--	--	1	
26	24121413	Assembly 1st stage red. Unit	--	--	1	--	--	1	
27	AF121127	Pad hldr(srv)sub-asy:	--	--	1	--	--	1	
28	AF121039	Spring - relief valve	--	--	1	--	--	1	
29	36AF0031	Kit piston sub assly & spring	--	--	1	--	--	1	
30	36AF0032	Kit nrv sub assly & spring	--	--	1	--	--	1	
31	36AF0033	Kit dust plug	--	--	1	--	--	1	
32	36AF0034	Kit pressure gauge	--	--	1	--	--	1	
33	36AF0035	Kit filter (sb)	--	--	1	--	--	1	
34	36AF0036	Kit micro switch	--	--	1	--	--	1	
35	36AF0043	Kit relif valve spring	--	--	1	--	--	1	



No.	Part No.	Description	Qty/Veh.-ES			NES			Remarks
			24	AG	AS	24	AG	AS	
1	AG 1210 91	Regulator lpg	--	1	--	--	1	--	FR.6.04.2014
1a	AS 1210 19	Regulator CNG	--	--	1	--	--	1	
2	JS 1720 15	Diaphragm-Sub assly.	--	1	1	--	1	1	
3	AF 1210 70	Cheese headed screw	--	4	4	--	4	4	
4	JS 1720 36	Lever	--	1	1	--	1	1	
5	24 1212 99	Pin lever	--	2	2	--	2	2	
6	JS 1720 37	Seat	--	1	1	--	1	1	
7	JS 1720 35	Guide spring	--	1	1	--	1	1	
8	24 1213 04	Spring	--	1	--	--	1	--	
8	RA 1720 07	Spring	--	--	1	--	--	1	
9	24 1213 06	Rubber washer	--	1	1	--	1	1	
10	JS 1720 23	Diaphragm	--	1	1	--	1	1	
11	JS 1720 27	Spring	--	1	--	--	1	--	
11a	24 1215 04	Spring	--	--	1	--	--	1	
12	24 1213 12	Lever sub assly	--	1	1	--	1	1	
13	24 1213 13	Seat	--	1	1	--	1	1	
14	24 1213 14	Rubber washer	--	1	1	--	1	1	
15	24 1213 15	Washer copper	--	1	1	--	1	1	
16	JS 1720 28	Connector inlet	--	1	--	--	1	--	
16a	24 1215 05	Connector inlet	--	--	1	--	--	1	
16b	24 1213 16	Connector inlet-lpg vanaz	--	1	--	--	1	--	
17	JS 1720 19	Flange screw	--	12	12	--	12	12	
18	JS 1720 31	Breather -II	--	1	--	--	1	--	
18	AM 1210 91	Breather -II	--	--	1	--	--	1	
19	24 1213 21	'O' ring	--	1	1	--	1	1	



No.	Part No.	Description	Qty/Veh.-ES			NES			Remarks
			24	AG	AS	24	AG	AS	
20	JS 1720 32	Body -flow control	-	1	-	-	1	-	
20a	24 1215 07	Body -flow control	-	-	1	-	-	1	
21	JS 1720 30	Screw flow control	-	1	-	-	1	-	
21a	24 1215 06	Screw flow control	-	-	1	-	-	1	
22	JS 1720 20	Idling screw	-	1	1	-	1	1	
22a	AF 1213 34	Spring adjusting screw	-	1	1	-	1	1	
22b	JS 1720 21	Body idling screw	-	1	1	-	1	1	
23	59 2100 17	'O' Ring	-	1	1	-	1	1	
24	AF 1211 06	'O' Ring	-	1	1	-	1	1	
25	AS 1210 16	Breather hose CNG reg.	-	1	1	-	1	1	
26	JS 1720 33	Clamp	-	1	1	-	1	1	
27	AF 1211 04	'O' Ring	-	1	1	-	1	1	
28	JS 1720 18	Plug	-	1	1	-	1	1	
29	JS 1720 26	Breather -I	-	1	1	-	1	1	
30	24 1213 27	Plug pr check-vanaz LPG	-	1	1	-	1	1	
31	36 AF00 37	Kit primary lpr	-	1	1	-	1	1	
32	36 AF00 38	Kit secondary	-	1	1	-	1	1	
33	36 AF00 39	Kit o ring	-	1	1	-	1	1	



No.	Part No.	Description	Qty/Veh.-ES			NES			Remarks
			24	AG	AS	24	AG	AS	
1	24 1214 07	BKT. filling valve	--	1	-	-	1	-	
2	24 1214 32	Filler	-	1	-	-	1	-	
3	59 0100 10	Screw csumk for filter	--	2	-	-	2	-	
4	AF 1210 57	Nut	--	2	-	-	2	-	
5	AF 1210 58	Washer	--	2	-	-	2	-	
7	24 1213 37	Connector for filler	-	1	-	-	1	-	
8	AF 1210 85	Washer	--	1	-	-	1	-	
9	CX 1410 46	'O' ring	-	1	-	-	1	-	
10	24 1213 94	Cap	-	1	-	-	1	-	
11	24 1213 93	Knob	-	1	-	-	1	-	
12	CX 1410 44	Steel ball	-	1	-	-	1	-	
13	CX 1410 45	Spacer	-	1	-	-	1	-	
14	36 AF00 40	Kit filler valve	-	2	-	-	2	--	



**KIT LIST**

**RE Compact 2S**

Sr. No.	Kit Part No.	Kit Description	Consisting of Following Parts		
			Part No.	Description	Qty./Kit
1	24151108	Minor kit-front wheel cylinder fl	24151104	Seal piston wheel cylinder	2
			24151105	Spring wheel cylinder	1
			24151106	Boot protection	2
2	24151114	Minor kit-rear wheel cylinder fl	24151116	Seal- piston wheel cyl rear	2
			24151105	Spring wheel cylinder	1
			24151106	Boot protection	2
3	24151107	Major kit-front wheel cylinder fl	24151165	Piston slotted front	2
			24151104	Seal piston wheel cylinder	2
			24151105	Spring wheel cylinder	1
			24151106	Boot protection	2
			AB151079	Screw - bleeder	1
			AB151100	Cap - bleeder	1
4	24151113	Major kit-rear wheel cylinder fl	24151166	Piston slotted front	2
			24151116	Seal piston wheel cylinder	2
			24151105	Spring wheel cylinder	1
			24151106	Boot protection	2
			AB151079	Screw - bleeder	1
			AL151052	Cap - bleeder	1
5	36244051	Front wheel bearing kit	39255020	Bearing -ball 20X47X14-2RS1	1
			39236220	Bearing-ball (12X37X12)	1
			39034217	Internal circlip	1
			22170115	Seal - oil	1
6	36244052	Kit slider block	24171068	Slider block	1
			24170425	Pin for slider block	1
7	36244053	kit bush pivot	AB171020	Needle bush	1
			24171129	Pin pivot	1
8	36AB4011	Kit st cone :steering coloumn -FL	36AB4008	KIT brg race upper + lower	1
			AB181017	Ball - steel with nylon cage - upper	1
			BH151008	Cover dust top	1
			AB181012	Ball - steel with cage - lower :- nylon	1
			24181034	Cover dust bottom	1
			36001052	Grease lethon RR3 -10GM	1
			BH151009	spacer lower dust cover	1
9	36AB4008	KIT Brg Race Ser Upper + Lower RE 2S	AB181019	Bearing race - upper :- outer	1
			AB181016	Bearing race - upper :- inner	1
			AB181033	Race -bearing: lower-outer	1
			AB181011	Bearing race - lower :- inner	1
10	36244050	Oil seat kit re compact 2s petrol	AP101226	Oil seal clutch side	1
			AP101074	Seal oil 22x47x7(39121420)	1
			BF551613	Seal oil	1
			AP101268	Oil seal mag side	1
			39213319	Oil seal 16x24x5 nrb bendix	1

**KIT LIST**

**RE Compact 2S**

Sr. No.	Kit Part No.	Kit Description	Consisting of Following Parts		
			Part No.	Description	Qty./Kit
11	24151098	Minor kit TMC	24151092	Seal (oil supply Port)	2
			AB151070	Protection boot	1
			39236017	Internal circlip	2
			24151080	Secodary lip seal	2
			24151083	Plate valve	2
			24151076	Primary leap seal	2
12	24151097	Major kit	24151092	Seal oil supply port	1
			24151091	O ring	1
			24151089	Piston lock screw	1
			AB151070	Protection boot	1
			36236017	Internal circlip	1
			24151086	Spring locking screw	1
			24151085	Spring guide socket	1
			24101581	Secondary return spring	1
			24151082	Secondary spring locator	1
			24151084	Primary piston	1
			24151078	Primary return spring	1
			24151077	Primary spring locator	1
			24151080	Secondary lip seal	2
			24151083	Plate valve	2
24151076	Primary lip seal	2			
13	36244040	Jet kit(24121676)	AA121152	Needle Jet	1
			JE581205	Pilot Jet	1
			DJ121023	Main Jet	1
			24121370	Jet holder	1
13	36AF0023	Jet kit( AG121077)	AA121152	Needle Jet	1
			JE581205	Pilot Jet	1
			AF121451	Main Jet	1
			24121370	Jet holder	1
14	34244047	Float body assly kit	24121720	Flote body assly	1
			DH121118	O Ring	1
			JA581232	O Ring	1
			CB121046	Screw	4
15	36JZ0016	Idling adjuster kit	JA581314	Drain screw	1
			JZ581217	Adjuster	1
16	DH121169	Pilot screw kit	CB121044	Spring	1
			DH121120	O Ring	1
			DH121131	Carb pilot screw	1
			DH121086	Spring	1
			DH121087	Washer	1
			DH121088	O ring	2
DH121130	O Ring	2			

**KIT LIST**

Sr. No.	Kit Part No.	Kit Description	Consisting of Following Parts		
			Part No.	Description	Qty./Kit
20	JA581223	Mixing cap assly	JA581223	Mixing cap Assly	1
			24121719	Cable adjuster	2
			JA581315	Nut	2
			24121363	Cap	1
21	36244048	Piston valve assly kit (24121676)	DD121054	Spring	1
			JZ581223	Packing	1
			DD121055	Spring	1
			AF121481	Jet Needle	1
			24121370	Ring	1
			AZ581208	Holder assly magnet	1
			24121714	Piston Valve	1
21	36AF0024	Piston valve assly kit (AG121077)	DD121054	Spring	1
			JZ581223	Packing	1
			DD121055	Spring	1
			24121718	Jet Needle	1
			24121370	Ring	1
			AZ581208	Holder assly magnet	1
23	36244049	O ring & gasket kit	DH121130	O Ring	1
			JA581232	O Ring	1
			29121093	O Ring	1
			DH121118	O Ring	1
			JA581238	O Ring	1
			DH121088	O Ring	1

**KIT LIST**

Sr. No.	Kit Part No.	Kit Description	Consisting of Following Parts		
			Part No.	Description	Qty./Kit



## PART INDEX

## RE Compact 2S

Part No.	Page No.	Figure No.
1100342	29	11
1100611	4	8
1100818	5	7
1100905	10	13
1101008	9	12
1101205	15	24
1110609	46	12
1160717	48	8
1190115	41	22
1190205	41	19
1200213	50	4
2100608	4	6
2421087	21	32
3100338	1	7
3100338	4	4
3100609	4	3
3170109	13	5
3170109	32	2
3170127	9	9
3180116	15	17
3190204	41	18
3190206	41	20
5161256	44	10
5190301	33	23
5190302	33	27
5191005	33	24
6101007	9	11
6101009	9	8

Part No.	Page No.	Figure No.
6101111	12	7
6101112	12	8
6101196	3	3
6111350	53	15
6180303	44	14
6191061	33	25
6191089	41	9
6191089	41	14
6201083	50	13
6201204	50	7
18201044	51	4
18201044	52	4
19101016	8	6
19101017	8	6
19101018	8	6
19101019	8	6
19101020	8	6
20101020	12	12
20201029	51	3
20201029	52	3
21100711	8	7
21101427	14	14
21101429	15	16
21150307	30	7
21150422	38	2
21180307	36	17
21180308	36	18
22101115	14	2

## PART INDEX

## RE Compact 2S

Part No.	Page No.	Figure No.
22101423	14	12
22131014	11	9
22131018	11	8
22150507	40	9
22151068	30	6
22151106	30	3
22151106	31	1
22161221	46	3
22161221	51	8
22161221	52	8
22170115	32	6
22170117	32	8
22170118	32	12
22170434	30	12
22171007	29	13
22171080	11	14
22180219	36	16
22181058	36	16
22230635	43	9
22231281	43	18
22250132	55	10
23161305	13	9
23161305	14	15
24100305	1	10
24100305	10	3
24101069	10	11
24101111	12	5
24101201	12	6

Part No.	Page No.	Figure No.
24101201	15	23
24101203	15	26
24101409	14	13
24101414	14	4
24101414	15	28
24101417	14	6
24101419	14	10
24101421	15	19
24101422	15	20
24101546	4	2
24101572	14	7
24101615	14	5
24101616	14	9
24101712	9	15
24101714	9	13
24101720	15	29
24101723	3	14
24101751	5	10
24101764	2	1
24101766	3	20
24101771	16	17
24101774	3	1
24101777	3	11
24101778	26	1a
24101778	27	1a
24101779	19	9
24101781	5	1
24101782	5	8

## PART INDEX

## RE Compact 2S

Part No.	Page No.	Figure No.
24101784	1	1
24101791	9	3
24101792	9	1
24101793	10	12
24101803	8	9
24101804	8	10
24101806	8	12
24101817	2	1a
24101825	1	1c
24101829	28	6
24101830	28	16
24101875	26	1
24101875	27	1
24101879	3	5
24101880	14	11
24101881	14	11
24101899	9	10
24101900	1	2
24101901	6	1
24101925	3	2
24101929	6	7
24101935	26	1a
24101935	27	1a
24101937	9	1
24101938	9	2
24101939	8	11
24101942	8	16
24101956	8	5

Part No.	Page No.	Figure No.
24101961	4	6
24101964	4	1
24111109	53	14
24111113	53	13
24111201	16	1
24111202	16	2
24111205	16	3
24111207	53	12a
24111214	53	12
24111218	16	1a
24111219	16	2
24116149	3	16
24121053	21	24
24121069	20	2
24121244	57	13
24121249	64	11
24121250	64	14
24121283	64	4
24121299	61	5
24121304	61	8
24121306	61	9
24121312	61	12
24121313	61	13
24121314	61	14
24121315	61	15
24121316	61	16b
24121321	61	19
24121327	62	30

## PART INDEX

## RE Compact 2S

Part No.	Page No.	Figure No.
24121337	63	7
24121354	57	4
24121356	18	21
24121365	20	10
24121393	63	11
24121394	63	10
24121407	63	1
24121413	60	26
24121418	64	10
24121432	63	2
24121434	57	14
24121456	59	11
24121458	19	1
24121462	19	7
24121476	19	6
24121477	19	5
24121485	20	12
24121498	57	2
24121500	57	1
24121504	61	11a
24121505	61	16a
24121506	62	21a
24121507	62	20a
24121508	20	14
24121646	19	8
24121652	22	20
24121652	23	5
24121656	23	6a

Part No.	Page No.	Figure No.
24121664	18	12
24121669	24	12
24121670	24	13
24121674	24	3
24121676	20	1
24121677	22	2
24121682	22	1
24121695	22	6
24121698	22	7
24121703	19	2
24121704	19	4
24121709	19	17
24121716	19	3
24121722	24	16
24130105	1	16
24130105	10	7
24130105	11	3
24130111	11	7
24130113	11	11
24130209	13	7
24131003	13	6a
24131007	13	3
24131008	13	4
24131009	11	12
24131032	11	10
24131074	28	10
24131098	28	15
24131101	10	18

## PART INDEX

## RE Compact 2S

Part No.	Page No.	Figure No.
24131116	10	14
24141091	56	11
24141132	22	10
24141133	22	13
24141134	22	16
24141135	22	17
24141140	22	19
24141141	22	21
24141152	22	24
24141164	22	15
24141165	22	8
24141166	22	14
24141183	22	23
24141184	22	6
24141194	23	11
24151061	40	7
24151067	40	10
24151068	40	11
24151087	39	2
24151090	39	4
24151092	39	7
24151093	39	8
24151094	39	3
24151097	39	9
24151098	39	10
24151107	35	36
24151108	35	37
24151110	30	5

Part No.	Page No.	Figure No.
24151113	35	39
24151114	35	40
24151129	34	15
24151130	34	17
24151131	34	16
24151132	34	13
24151133	34	7
24151134	34	8
24151135	34	9
24151137	34	10
24151138	34	11
24151139	34	18
24151144	34	15a
24151146	35	21
24151147	35	20
24151148	35	22
24151151	34	15b
24151152	34	14
24151153	34	8a
24151163	35	35
24151164	35	38
24151168	34	12
24151169	35	25
24151170	35	30
24151171	35	43
24151172	35	28
24151174	34	5
24151175	34	12b

## PART INDEX

## RE Compact 2S

Part No.	Page No.	Figure No.
24151176	35	26
24151177	35	32
24151178	34	6
24151179	34	12a
24151180	35	27
24151181	35	31
24151182	35	29
24151183	35	33
24151221	38	1
24151232	40	2
24151234	38	5
24151238	40	12
24151243	34	1
24151247	33	28
24151255	40	3
24151256	40	1
24151258	38	6
24151258	39	1
24151268	35	19
24151274	41	1
24151275	39	1
24161176	37	13
24161297	23	2
24161422	57	6
24161423	57	11
24161443	36	11
24161468	40	13
24161505	44	4a

Part No.	Page No.	Figure No.
24165132	46	1
24165137	48	11
24165230	42	16
24165234	46	5
24165234	46	20
24165255	46	7
24165270	25	1
24165273	49	25
24165274	49	24
24165302	46	21
24165303	44	4
24170425	28	7
24170507	29	15
24170508	29	9
24171014	28	2
24171024	29	10
24171066	28	13
24171068	28	8
24171075	30	2
24171094	29	8
24171117	33	20
24171118	30	1
24171129	32	17
24171136	32	1
24171138	33	30
24171179	29	1
24171180	29	2
24181039	46	14

## PART INDEX

RE Compact 2S

Part No.	Page No.	Figure No.
24181046	36	10
24181047	36	12
24181067	42	15
24181074	41	8
24181155	44	2
24181156	44	2
24181160	36	1
24181161	36	22
24181163	46	14
24191098	41	13
24191099	41	12
24191101	41	15
24191105	41	7
24191108	46	16
24191120	42	14
24191136	22	11
24191137	22	12
24191139	42	7
24191144	40	18
24191174	42	2
24191175	42	6
24191176	42	3
24191177	42	4
24191178	42	11
24191179	42	12
24191182	42	1
24191184	41	10
24191185	41	11

Part No.	Page No.	Figure No.
24191187	41	13
24191200	42	1
24201333	59	8
24201360	45	14b
24201361	45	14a
24201361	53	23
24201363	45	14
24201368	50	1
24201378	50	2
24201380	50	8
24201421	40	14
24201456	58	1
24201472	51	1
24201472	52	1
24201473	51	2
24201473	52	2
24201476	51	10
24201476	52	10
24201477	51	13
24201477	52	13
24201484	50	16
24201485	50	14
24201486	50	15
24201487	50	10
24201488	50	11
24201493	45	13
24201499	51	14
24201499	52	14

## PART INDEX

RE Compact 2S

Part No.	Page No.	Figure No.
24201500	51	6
24201500	52	6
24201501	51	7
24201501	52	7
24201502	50	20
24201503	50	21
24201504	50	17
24201515	54	10
24201523	50	18
24201524	43	11a
24201526	43	11
24201527	45	7
24201528	45	8
24201529	45	1
24201530	45	2
24201538	53	19
24201540	53	17
24201559	46	16
24221031	48	13
24230176	48	5
24230185	37	12
24230185	48	9
24230198	49	19
24230417	47	9a
24231090	49	20
24231091	49	21
24231146	47	17
24231157	48	10

Part No.	Page No.	Figure No.
24231245	48	4
24231421	47	16
24231422	26	7
24231422	27	7
24231473	48	12
24231499	49	22
24231593	43	1
24231604	47	8
24231605	47	8a
24231615	43	7
24231616	43	8
24231620	47	6
24231620	47	13
24231630	49	23
24231641	43	6
24231661	43	5
24231662	43	10
24231726	44	3
24231748	47	7
24231759	47	8b
24231760	47	8c
24231761	47	14
24231762	47	15
24231772	47	11
24231775	47	12
24231778	43	2
24231779	43	3
24231780	43	4

## PART INDEX

## RE Compact 2S

Part No.	Page No.	Figure No.
25191054	46	17
25231064	48	17
30101129	3	21
30101185	33	31
30121004	41	18
31101106	6	19
31121006	3	9
31121041	18	10
33141007	23	9
33141008	22	22
33141008	23	10
35101059	8	2
35101060	10	5
35101136	4	5
35101176	5	12
35121038	19	14
36001051	2	15
36001051	7	25
36001051	10	20
36241306	11	18
36241703	11	19
36244004	64	3
36244024	48	7
36244040	20	4
36244042	44	13
36244043	54	7a
36244044	48	6
36244047	20	10

Part No.	Page No.	Figure No.
36244048	20	7
36244049	20	6
36244052	28	17
36244061	21	28
36244062	20	9
39006204	37	18
39007104	37	14
39007104	43	15
39008504	43	13
39008904	2	13
39008904	10	16
39011904	28	3
39013205	1	5
39013205	2	3
39014608	56	6
39014708	40	5
39015608	44	7
39016109	9	6
39019811	16	16
39019811	36	19
39019811	37	16
39019911	1	13
39020011	26	4
39020011	27	4
39020111	41	3
39020111	56	8
39020811	40	4
39021111	25	8

## PART INDEX

## RE Compact 2S

Part No.	Page No.	Figure No.
39023511	33	26
39025811	43	20
39026012	19	16
39026512	26	5
39026512	27	5
39026612	15	25
39026912	29	6
39028715	43	19
39028915	26	3
39028915	26	8
39028915	27	3
39028915	27	8
39029115	37	17
39029515	31	8
39029615	14	8
39029615	31	14
39029615	41	5
39030215	56	7
39032615	41	21
39034017	3	4
39042606	10	15
39043501	11	15
39044706	6	11
39045104	15	27
39045411	46	9
39045506	10	4
39054311	31	10
39054601	19	15

Part No.	Page No.	Figure No.
39069415	32	19
39069415	40	8
39073212	16	15
39074011	22	5
39078211	16	11
39078912	31	13
39078912	32	18
39079815	25	5
39079908	15	18
39080411	12	13
39081715	37	4
39081715	46	2
39081715	55	6
39085517	40	21
39095615	30	8
39099906	7	20
39099906	17	7
39100006	1	18
39100006	3	15
39102304	3	8
39102702	40	16
39104119	6	6
39104119	12	10
39105411	31	11
39106204	24	14
39106204	53	22
39106504	7	22
39106901	37	3

## PART INDEX

## RE Compact 2S

Part No.	Page No.	Figure No.
39107404	7	21
39107504	17	8
39115902	47	21
39118215	28	12
39121111	44	12
39121420	1	14
39135315	37	19
39137704	41	2
39138904	15	22
39138904	39	11
39142305	3	10
39150111	47	20
39158511	1	20
39158511	10	6
39158721	13	1
39165305	1	4
39165805	1	6
39166511	26	11
39166511	27	11
39167304	16	8
39167404	6	8
39167404	6	18
39167404	17	2
39168004	46	4
39170207	40	6
39182812	30	9
39182912	37	7
39183012	37	15

Part No.	Page No.	Figure No.
39190701	22	18
39190701	46	8
39194904	7	23
39196404	12	16
39197015	42	18
39213319	2	11
39214704	16	14
39215704	26	6
39215704	27	6
39220207	12	4
39220804	2	12
39229515	54	15
39235717	32	16
39236220	32	4
39236915	10	19
39236915	12	14
39236915	19	11
39237423	44	6
39237523	37	6
39238315	25	7
39242411	37	8
39244311	6	4
39247915	19	21
39248415	43	14
39254104	10	17
39254220	10	8
39254220	11	2
39255020	32	3

## PART INDEX

## RE Compact 2S

Part No.	Page No.	Figure No.
39260715	29	14
39261515	4	9
39264223	37	5
39267104	1	19
52210040	48	16
52210043	44	5
52240664	48	2
52240743	44	1
52240747	48	3
52244058	44	1
52244065	48	1
52244066	48	1a
52240764	30	5
59010005	46	11
59010010	63	3
59040029	13	12
59200012	29	12
59210012	64	13
59210013	64	2
59210017	62	23
36AA4028	54	7
36AB4010	36	20
36AF0023	20	4a
36AF0024	20	7a
36Af0028	21	28
36AF0029	58	5
36AF0030	58	6
36AF0031	60	29

Part No.	Page No.	Figure No.
36AF0032	60	30
36AF0033	60	31
36AF0034	60	32
36AF0035	60	33
36AF0036	60	34
36AF0037	62	31
36AF0038	62	32
36AF0039	62	33
36AF0040	63	14
36Af0041	64	15
36Af0042	64	16
36AF0043	60	35
36BA4041	36	21
36JZ0016	20	11
52AF0118	48	3a
AA101295	8	8
AA101329	15	21
AA101721	28	1
AA101722	28	4
AA101742	13	8
AA101743	13	6
AA101745	13	2
AA101747	13	16
Aa101750	13	6
AA101752	28	18
AA111120	53	25
AA121127	18	15
AA121146	18	5

## PART INDEX

## RE Compact 2S

Part No.	Page No.	Figure No.
AA121147	18	7
AA121148	18	4
AA121149	18	6
AA121150	18	3
AA121151	18	2
AA121193	18	5a
AA131004	13	13
AA131033	11	6
AA131044	10	10
AA141046	21	18
AA141046	24	6
AA141048	24	7
AA141067	23	12
AA151039	38	7
AA151047	32	1
AA151049	32	7
AA151052	42	9
AA151053	42	10
AA161089	44	8
AA171006	29	3
AA171011	29	5
AA171022	29	4
AA171024	29	4a
AA181022	36	3
AA181023	36	2
AA191032	41	6
AA191095	42	5
AA201090	51	5

Part No.	Page No.	Figure No.
AA201090	52	5
AA201227	51	3
AA201227	52	3
AA201239	54	4
AA201256	54	1
AA201258	54	6
AA221004	43	21
AA221005	43	17
AA221006	43	16
AA231126	49	32
Aa231129	47	18
AA231140	47	2
AA231141	47	5
AA231142	18	8
AA231147	47	19
AA231154	49	33
AA231245	44	9
AA251001	13	14
AA251003	13	15
AB151049	38	3
AB151053	38	9
AB151054	39	5
AB151072	39	6
AB151079	35	41
AB161159	37	20
AB161159	55	13
AB161182	37	2
AB161183	37	11

## PART INDEX

## RE Compact 2S

Part No.	Page No.	Figure No.
AB161188	37	1
AB171013	31	5
AB171014	31	6
AB171015	31	7
AB171016	31	4
AB171017	31	9
AB171020	32	15
AB171022	32	13
AB171023	32	14
AB171031	31	12
AB171034	32	10
AB171044	31	3
AB181012	36	4
AB181017	36	9
AB181019	36	8
AB181020	36	13
AB181022	36	15
AB181023	36	14
AB181033	36	5
AB201065	37	10
AB201065	50	9
AB201077	54	13
AF121004	59	1
AF121012	57	5
AF121018	59	3
AF121023	59	2
AF121025	59	4
AF121026	59	5

Part No.	Page No.	Figure No.
AF121027	59	6
AF121028	59	7
AF121029	59	9
AF121030	59	10
AF121032	59	12
AF121034	59	13
AF121039	60	28
AF121040	59	15
AF121043	59	16
AF121044	59	17
AF121045	59	18
AF121046	59	20
AF121057	63	4
AF121058	63	5
AF121070	61	3
AF121085	63	8
AF121104	60	21
AF121104	62	27
AF121105	60	22
AF121106	60	23
AF121106	62	24
AF121107	60	24
AF121108	60	25
AF121126	59	14
AF121127	60	27
AF121133	21	33
AF121316	58	3
AF121323	58	4

## PART INDEX

## RE Compact 2S

Part No.	Page No.	Figure No.
AF121328	21	23
AF121334	62	22a
AF121505	18	1
AF141030	56	3
AF141059	56	2
AF141072	23	4
AF141074	23	1
AF141075	23	1
AF161024	48	14
AF161040	48	14a
AF161059	56	5
AF161097	56	9
AF161098	56	4
AF161100	56	10
AF201001	53	21
AF201010	59	19
AF201081	54	9
AF201094	54	5
AF231078	47	3
AF231079	47	4
AG101024	1	1d
AG101025	1	1a
AG121072	18	13
AG121077	20	1a
AG121091	61	1
AG201022	45	10
AG201025	45	9
AG201026	46	19

Part No.	Page No.	Figure No.
AG201030	45	3
AG201031	45	4
AG201032	54	11
AG201038	53	20
AG201039	45	9
AL151052	35	42
AL151054	35	34
AL151104	40	19
AL151105	40	17
AL161236	46	10
AL201060	54	2
AL201062	54	3
AM121091	61	18
AM121105	57	12
AM141003	56	1
AM141004	23	3
AM161020	48	15
Am201116	54	1
AN101157	16	13
AN101202	16	12
AN161074	55	4
AN161075	55	16
AN191017	40	15
AP101005	3	6
AP101013	5	1a
AP101014	5	2
AP101015	5	8
AP101018	5	4

## PART INDEX

## RE Compact 2S

Part No.	Page No.	Figure No.
AP101019	5	3
AP101022	6	3
AP101026	6	7
AP101030	6	13
AP101032	17	3
AP101035	16	7
AP101039	2	14
AP101041	5	5
AP101043	2	10
AP101043	17	6
AP101050	3	12
AP101051	3	13
AP101052	26	9
AP101052	27	9
AP101054	1	11
AP101055	2	4
AP101056	2	5
AP101057	2	6
AP101060	4	11
AP101061	6	12
AP101071	17	4
AP101074	1	15
AP101078	8	1
AP101079	8	3
AP101081	12	1
AP101083	12	3
AP101091	12	15
AP101092	4	12

Part No.	Page No.	Figure No.
AP101093	11	5
AP101095	10	1
AP101138	11	16
AP101139	11	13
AP101140	11	1
AP101146	1	3
AP101146	2	2
AP101149	6	10
AP101150	24	8
AP101157	9	1
AP101159	9	3
AP101160	9	4
AP101162	9	5
AP101164	9	7
AP101165	8	13
AP101172	6	15
AP101174	6	16
AP101178	5	16
AP101185	8	14
AP101187	8	15
AP101187	11	4
AP101192	5	15
AP101194	26	2
AP101194	27	2
AP101198	12	15
AP101207	1	9
AP101208	17	9
AP101209	3	17

## PART INDEX

## RE Compact 2S

Part No.	Page No.	Figure No.
AP101210	16	6
AP101213	4	10
AP101226	1	8
AP101227	5	13
AP101235	5	14
AP101236	5	17
AP101249	12	2
AP101255	6	14
AP101257	4	7
AP101263	16	9
AP101264	16	18
AP101268	2	9
AP101269	3	19
AP101279	6	2
AP101281	6	17
AP101282	17	5
AP101289	5	6
AP101291	5	11
AP101292	5	9
AP111007	17	1
AP111013	16	4
AP111023	12	11
AP111025	17	10
AP111026	17	11
AP111027	17	12
AP111028	17	13
AP111029	17	14
AP111030	17	15

Part No.	Page No.	Figure No.
AP111031	17	16
AP111032	17	17
AP111033	17	18
AP111054	17	19
AP121001	19	12
AP121003	19	13
AP121004	19	10
AP121020	24	2
AP121043	25	3
AP121067	24	4
AP121068	24	5
AP121073	3	7
AP121086	3	18
AP121106	24	9
AP121128	24	1
AP141008	25	4
AP141012	25	2
AP151017	34	4
AP161048	41	1
AP161054	47	1
AP181009	46	13
AP201006	25	6
AP201012	54	6a
AP201058	54	8
AP201066	50	3
AS101001	1	1e
AS101002	1	1b
AS101005	9	1

## PART INDEX

## RE Compact 2S

Part No.	Page No.	Figure No.
AS120001	18	14
As120003	18	20
AS121007	19	18
AS121009	18	15
AS121010	18	18
AS121015	20	1
AS121016	62	25
AS121019	61	1a
AS140003	23	7
AS160006	55	8
AS160007	55	5
AS160011	55	3a
AS190007	46	16a
AS201006	45	12
AS201007	45	11
AS201010	46	18
AS201015	45	5
AS201016	45	6
AS201017	54	12
AS201018	53	18
AS201025	53	20
AS201026	45	11
AS220002	49	18
AT213001	47	9
AU172002	64	1
AU172034	64	12
AU172052	64	5
AU172066	64	7

Part No.	Page No.	Figure No.
AU172074	64	6
AU402601	64	8
AU403001	64	9
AY141202	28	5
AZ161213	42	13
AZ172030	57	3
AZ581009	18	16
AZ581041	18	17
AZ621019	14	1
BA122062	18	9
BA132045	8	4
BA132122	10	2
BA141033	24	11
BA161029	55	3
BA201001	55	1
BB131024	28	14
BB221004	49	29
BF171604	22	3
BF551613	1	17
BF551613	10	9
BF551613	11	17
BG113804	38	8
BG131802	42	8
BG141252	28	9
BG141253	28	9a
BG141254	28	11
BG233002	46	6
BH111092	55	15

## PART INDEX

## RE Compact 2S

Part No.	Page No.	Figure No.
BH113805	55	7
BH121621	42	17
BH131212	34	3
BH131213	34	2
BH131403	30	15
BH131404	30	14
BH131407	30	13
BH131803	39	12
BH131813	35	23
BH131814	35	24
BH151008	36	6
BH151009	36	7
BH161012	22	25
CB121046	20	13
CD101080	12	9
CD101102	2	8
CI181024	33	29
CL201023	50	6
CM191049	41	17
CS141005	23	13
CX141044	63	12
CX141045	63	13
CX141046	63	9
DD141227	22	4
DD141227	22	26
DG141019	57	10
DG161124	14	3
DH101141	6	5

Part No.	Page No.	Figure No.
DH101275	6	9
DH121086	21	30
DH121087	21	17
DH121088	21	31
DH121142	18	19
DJ161229	46	22
DJ201072	50	12
DJ201109	40	20
DP101198	19	19
DZ121041	21	34
DZ121047	21	15
Dz121048	20	14
EC131835	38	10
GF141020	24	10
GH201012	51	4
GH201012	52	4
JA581221	20	3
JA581223	20	9
JA581232	20	5
JA581232	21	27
JA581233	21	21
JA581237	21	22
JA581238	21	20
JA581238	21	25
JA581314	21	16
JA581407	18	11
JB131019	32	11
JB151020	3	22

## PART INDEX

## RE Compact 2S

Part No.	Page No.	Figure No.
JB151020	13	11
JB581202	21	19
Jd401032	46	17
JF401801	55	2
JF581209	21	29
JG171029	24	15
JS113801	57	8
JS113802	57	9
JS172014	57	7
JS172015	61	2
JS172018	62	28
JS172019	61	17
JS172020	62	22
JS172021	62	22b
JS172023	61	10
JS172026	62	29
JS172027	61	11
JS172028	61	16
JS172030	62	21
JS172031	61	18
JS172032	62	20
JS172033	62	26
JS172035	61	7
JS172036	61	4
JS172037	61	6
JS581223	57	15
JZ581216	21	26
KAAG0870	49	28

Part No.	Page No.	Figure No.
KAAG0885	49	27
KAAG0885	51	9
KAAG0885	52	9
KADa0512	13	10
KADA0612	55	12
KADA0616	26	10
KADA0616	27	10
KADa0618	19	20
KADA0620	43	12
KADA0814	55	9
KADa0822	23	8
KADd0630	49	31
KADD1030	38	4
KAEA0622	44	11
KAED0614	7	24
KAEd0620	19	22
KBAA0412	22	9
KBBA0406	33	22
kBBA0408	54	14
KBCA0410	31	2
KBCA0414	50	5
KBRA4219	51	12
KBRA4219	52	12
KBRb3525	50	19
KBUC0410	46	15
KCAD1411	29	7
KCGA0606	55	14
KCGD0606	51	11
KCGD0606	52	11

## PART INDEX

**RE Compact 2S**

Part No.	Page No.	Figure No.
KCGd0808	49	30
KCGd1010	56	12
KDAB1018	49	26
KDDb1018	30	10
KEBB4717	32	5
LAA00008	1	12
LAA00014	37	9
LAC00025	16	5
LAC00041	16	10
LAD00033	17	8
LBB00006	2	7
LCA00003	9	14
LCA00010	30	11
LDF00001	55	11
LHC00001	41	16
RA172007	61	8
RA402601	23	6
RA402601	58	2

Part No.	Page No.	Figure No.
----------	----------	------------

## PART INDEX

**RE Compact 2S**

Part No.	Page No.	Figure No.
----------	----------	------------

Part No.	Page No.	Figure No.
----------	----------	------------